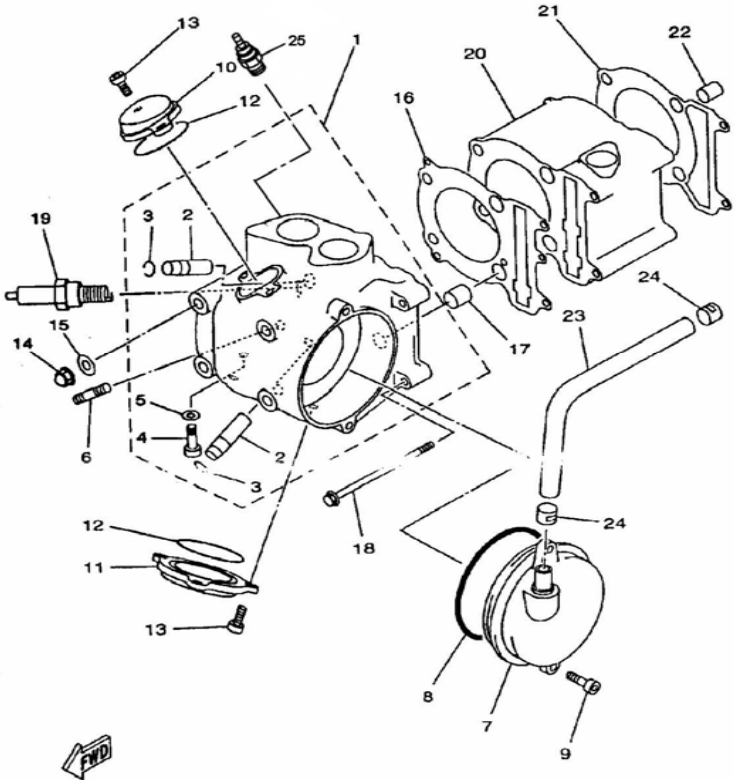
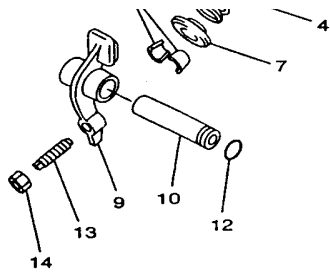


AEOLUS 260 DIAMO 260 CLASSIC ENGINE SCHEMATICS LINHAI 260 Last update on 7/1/2009

23. CYLINDER	Ref#	Par#	CID#	Description	Qty	Linhai Code	Control Code
	1	22401a	260.006	CYLINDER HEAD ASSY	1	170M.1.1	1L001010000
	2	22402		GUIDE INTAKE VALVE	2	170M.1.1-2	1L001010002
	3	10112		CIRCLIP 12	2	170M.1.1-6	1L001010006
	4	10128	100.084	BOLT M6X12	1	GB5783	B01010612
	5	22810		GASKET 6	1	170M.1-9	1L001000009
	6	10014	100.066	BOLT STUD M8X25	2	GB898	B01420825
	7	22407	260.010	BREATHER ASSY	1	170M.1.2.1	1L001020100
	8	22408	260.011	O-RING 95X3.3	1	170M.1.2-5	1L001020005
	9	10008	100.069	BOLT SOCKET HEAD M6X20	2	GB70	B02010620
	10	22410	260.007	VALVE COVER INTAKE SIDE	1	170M.1-1	1L001000001
	11	22411	260.009	VALVE COVER EXHAUST SIDE	1	170M.1-3	1L001000003
	12	22412	260.008	O-RING 57.5X2.3	2	170M.1-2	1L001000002
	13	10008	100.069	BOLT SOCKET HEAD M6X20	5	GB70	B02010620
	14	22414	260.012	NUT CROWN M8	4	170M.4-1	1L004000001
	15	22415	100.044	WASHER PLATE 8	4	170M.4-2	1L004000002
	16	22416	260.001	GASKET CYLINDER HEAD1	1	170M.1.3	1L001030000
	17	22417	100.083	PIN DOWEL 14X16	2	170M.1-6	1L001000006
	18	22418		BOLT FLANGE M6X120	2	170M.4-4	1L004000004
	19	22419	260.013	PLUG SPARK-NGK DR8EA	1	170M.1.5	1L001050000
	20	22420	260.002	CYLINDER	1	170M.1-5	1L001000005
	21	22421	260.003	GASKET CYLINDER	1	170M.1-4	1M001000005
	22	22422	100.082	PIN DOWEL 10X14	2	1E52FM0100	1E001001100
	23	22423		PIPE BREATHER1	1	170M.1.2-4	1L001020004
	24	22424	260.004	CLIP 13MM	2	170M.20-4	1L020000004
	25	22014		THERMO UNIT	1	170M.1.4	1L001040000

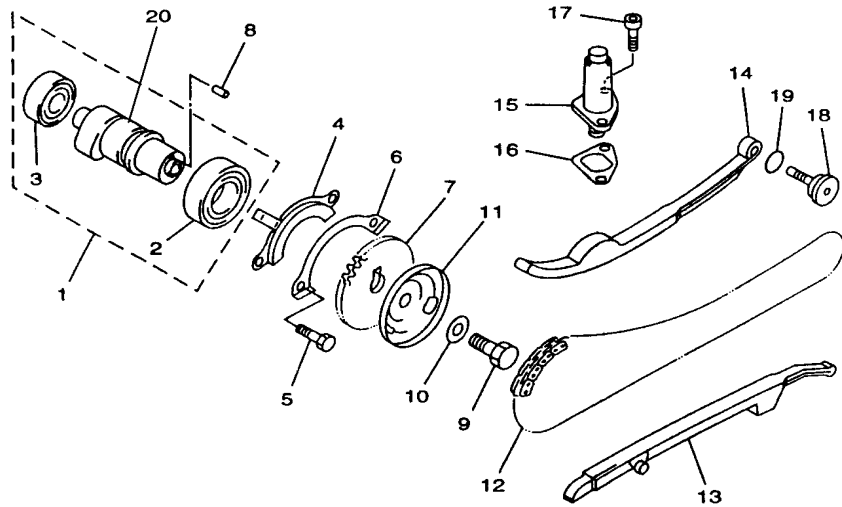
24. CRANKSHAFT COMP		Ref#	Par#	CID#	Description	Qty	Linhai Code	Control Code
		1	42701		CRANKSHAFT ASSY	1	170M.3-2	1L103020000
		2	22502		NUT M16X1	1	170M.3-1	1L003000001
		3	22503	260.046	WASHER PLATE 16	1	170M.3-2	1L003000002
		4	22504	260.047	KEY WOODRUFF	1	170M.3-3	1L003000003
		5	22505	260.050	PISTON	1	170M.3-6	1L003000006
		6	22506	260.053	PISTON RING SET	1	170M.3-7/170M.3-	1L003000007
		7	22507	260.051	PISTON PIN	1	170M.3-5	1L003000005
		8	22508		CLIP	2	170M.3-4	1L003000004

25. VALVE		Ref#	Par#	CID#	Description	Qty	Linhai Code	Control Code
		1	22601		INTAKE VALVE	1	170M.12-11	1L012000011
		2	22602		EXHAUST VALVE	1	170M.12-3	1L012000003
		3	22603		SEAT SPRING VALVE	2	170M.12-12	1L012000012
		4	22604		SPRING VALVE INNER	2	170M.12-10	1L012000010
		5	22605		SPRING VALVE OUTER	2	170M.12-9	1L012000009
		6	22606		SEAL VALVE STEM	2	170M.12.1	1L012010000
		7	22607		RETAINER SPRING VALVE	2	170M.12-5	1L012000005
		8	22608		COTTER VALVE	4	170M.12-4	1L012000004
		9	22609	260.014	ROCKER ARM VALVE	2	170M.12.2	1L012020000
		10	22610	260.016	EXHAUST ROCKER SHAFT	1	170M.12-6	1L012000006
		11	22611	260.015	INTAKE ROCKER SHAFT	1	170M.12-8	1L012000008



12	22612		O-RING 9X2	1	170M.12-7	1L012000007
13	22613		ADJUSTING SCREW VALVE	2	170M.12-2	1L012000002
14	22614		NUT M6X0.75	2	170M.12-1	1L012000001

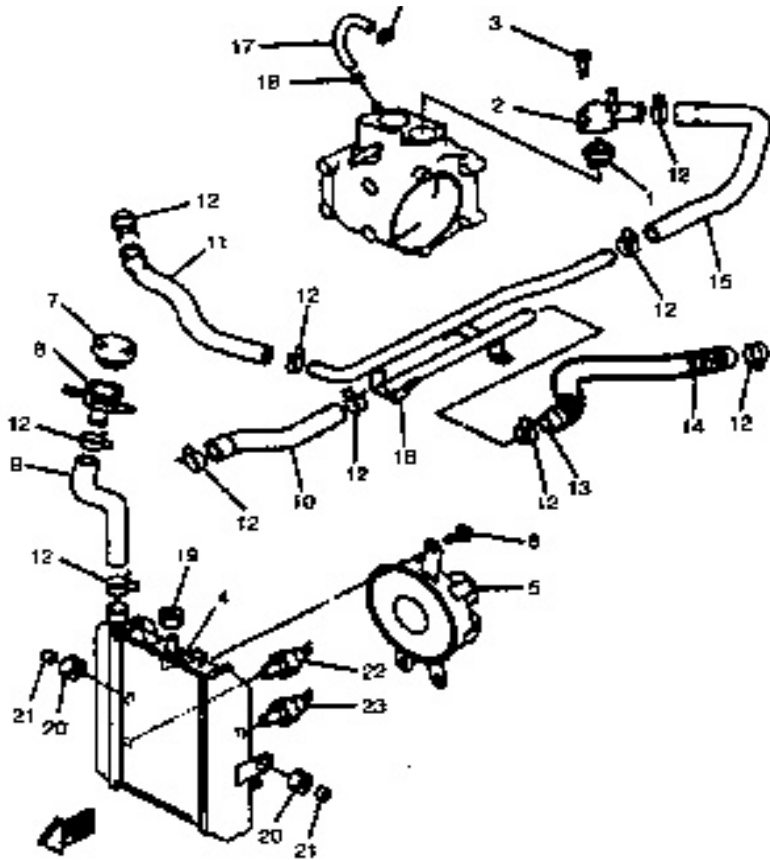
26. CAMSHAFT CHAIN



Ref#	Par#	CID#	Description	Qty	Linhai Code	Control Code
1	22701	260.048	CAMSHAFT ASSY1	1	170M.2	1L002000000
2	10012	260.017	BEARING	1	GB276	B1316105
3	10013	260.017	BEARING-B6202Z	1	GB278	B13160202
4	22704	260.018	PLATE	1	170M.2-3	1L002000003
5	10128	100.084	BOLT M6X12	2	GB5783	B01010612
6	22706	260.019	LOCK WASHER	1	170M.2-2	1L002000002
7	22707	260.020	CAM CHAIN SPROCKET	1	170M.2-4	1L002000004
8	10024		DOWEL PIN B4X10	1	GB119	B03120410
9	10025		BOLT M10X1.25X25	1	GB5786	B01021025A
10	22710	100.085	WASHER PLATE 10	1	170M.2-6	1L002000006
11	22711	260.021	BREATHER PLATE2	1	170M.2-5	1L002000005
12	22712	260.027	CHAIN	1	170M.14.2	1L014020000
13	22713	260.028	GUIDE STOPPER1	1	170M.14.4	1L014040000
14	22714	260.026	GUIDE STOPPER2	1	170M.14.3	1L014030000
15	22715	260.022	CAM CHAIN TENSIONER ASSY	1	170M.14.1	1L014010000
16	22716	260.023	GASKET TENSIONER CASE	1	170M.14-1	1L014000001
17	10036	100.086	SOCKET HEAD BOLT M6X14	2	GB70	B02010614
18	22718	260.024	CHAIN TENSIONER PIVOT BOL	1	170M.14-2	1L014000002
19	22719	260.025	O-RING 14.5X1.8	1	170M.14-3	1L014000003
20	22720	260.017	CAMSHAFT	1	170M.2-1	1L002000001

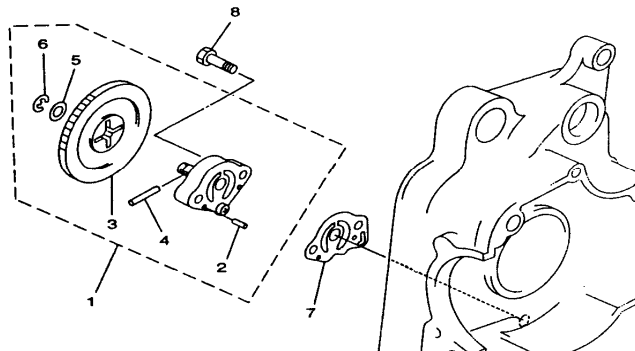
27. WATER PUMP		Ref#	Par#	CID#	Description	Qty	Linhai Code	Control Code
		1	22801		IMPELLER SHAFT ASSY	1	170M.15.4	1L015040000
		2	22802		HOUSING COVER	1	170M.15-2	1L015000002
		3	22803		GASKET HOUSING COVER2	1	170M.15-5	1L015000005
		4	10041	100.068	SOCKET HEAD BOLT M6X35	3	GB70	B02010635
		5	10043		BEARING	1	GB276	B01316E110
		6	22806		WATER PUMP HOUSING	1	170M.15-3	1L015000003
		7	22807		OIL SEAL 10X21X5	1	170M.15.1	1L015010000
		8	22808		MECHANICAL SEAL	1	170M.15.2	1L015020000
		9	10044		CIRCLIP 9	1	170M.15-6	1L015000006
		10	22810		GASKET 6	1	170M.1-9	1L001000009
		11	10049	260.084	O-RING 33.5X2.65	1	GB3452.1	B121335265
		12	22812	260.085	SHAFT	1	170M.15-1	1L015000001
		13	10070	100.092	DOWEL PIN C3X22	1	GB119	B03120322
		14	22814	260.087	WASHER PLATE 8	2	170M.8-6	1L008000006
		15	22815	260.086	IMPELLER SHAFT GEAR	1	170M.15-4	1L015000004
		16	10072	100.093	CIRCLIP 8	1	GB894.1	B036208
		17	22817	260.089	JOINT	1	170M.15.3.1	1L015030100
		18	10082	260.088	O-RING 15.5X2.5	2	GB3452.1	B121155250
		19	10083	100.094	SOCKET HEAD BOLT M6X15	2	GB70	B02010615
		20	22820	260.083	WATER PUMP ASSY	1	170M.15	1L015000000

28. RADIATOR HOSE		Ref#	Par#	CID#	Description	Qty	Linhai Code	Control Code
		1	22901	260.072	THERMOSTAT	1	170M.11.7.2	1L011070200
		2	22902	260.071	THERMOSTAT COVER	1	170M.11.7.1	1L011070100
		3	10085	100.001	SOCKET HEAD BOLT M6X25	2	GB70	B02010625
		4	2701154	260.061	RADIATOR ASSY	1	170M.11.3	1L011030000

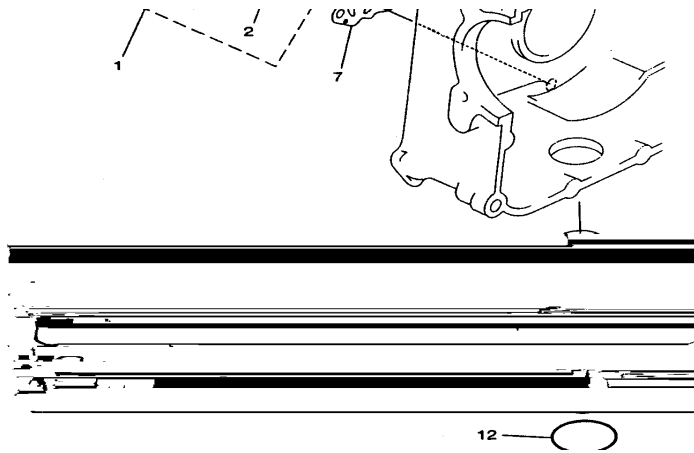


5	43105	260.060	BLOWER ASSY	1	170M.11.2	1L011020000
6	10087	100.001	FLANGE BOLT M6X9	3	GB5787	B01040609
7	2709012	260.065	CAP RADIATOR	1	170M.11.1.1	1L011010100
8	2709013	260.064	SUPT FILLER NECK	1	170M.11.1-1	1L011010001
9	2701021	260.062	PIPE 1	1	170M.11-2	1L011000002
10	2701023	260.076	PIPE 2	1	170M.11-7	1L011000007
11	2701022	260.077	PIPE 3	1	170M.11-4	1L011000004
12	10285	260.063	CLIP	10	GB/T15001-87	B25114/32
13	2701026	260.078	PIPE 4	1	170M.11-11	1L011000011
14	2701069	260.079	SPRING CIMPRESSION	1	170M.11-10	1L011000010
15	2701027		PIPE 5	1	170M.11-14	1L011000014
16	2709014	260.080	PIPE 6	1	170M.11.8	1L011080000
17	43117	260.081	HOSE2	1	170M.11-13A	1L011000013A
18	22914	260.082	CLIP	4	170M.1-7	1L001000007
19	43119		GROMMET 1	1	170M.11-8	1L011000008
20	22917	260.075	GROMMET 2	2	170M.11-5	1L011000005
21	22918		COLLAR	2	170M.11-6	1L011000006
22	22919	260.073	THERMOSTAT SWITCH ASSY	1	170M.11.4	1L011000004
23	10239		BOLT M6X16	4	GB/T5789	B01030616

29. OIL PUMP

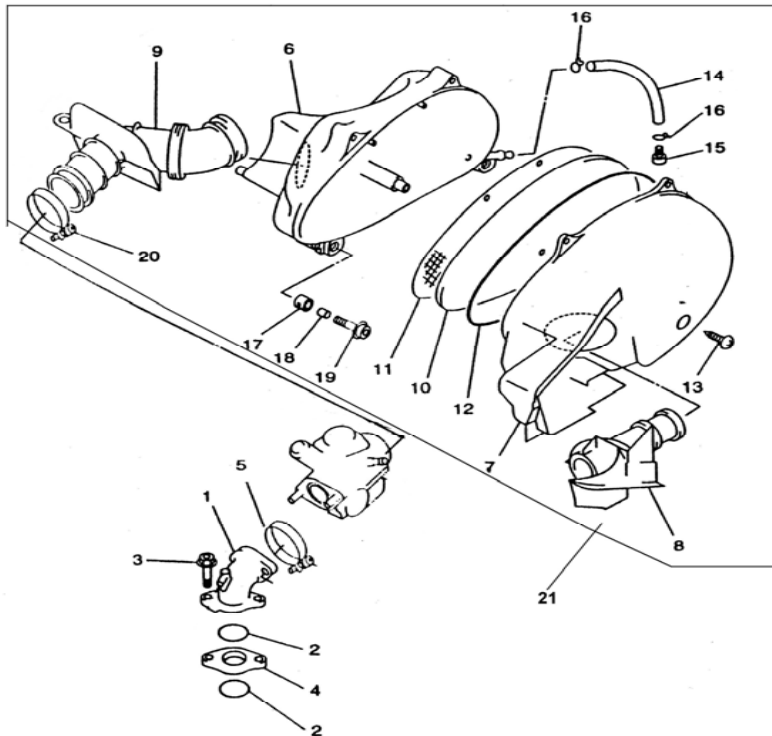


Ref#	Par#	CID#	Description	Qty	Linhai Code	Control Code
1	23101	260.054	OIL PUMP ASSY	1	170M.8	1L008000000
2	10096		DOWEL PIN 3X12	2	GB309	B1510312
3	23103		GEAR PUMP DRIVEN	1	170M.8-8	1L008000008
4	10097		DOWEL PIN C3X22	1	GB309	B1510322
5	22814		WASHER PLATE	1	170M.8-6	1L008000006
6	10130		CIRCLIP	1	GB896-6	B036306
7	23107		GASKET	1	170M.8-1	1L008000001



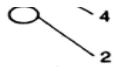
8	10098	100.048	SCREW M6X25	2	GB191-86	B02080625
9	23109	260.056	OIL STRAINER	1	170M.4.6	1L004060000
10	23110	260.057	COMPRESSION SPRING	1	170M.4-15	1L004000015
11	23111	260.059	DRAIN PLUG	1	170M.4-14	1L004000014
12	23112	260.058	O-RING 36X3.5	1	170M.4-13	1L004000013

30. AIR CLEANER



Ref#	Par#	CID#	Description	Qty	Linhai Code	Control Code
1	23201b	260.135	JOINT CARBURETOR 1(FOR US	1	170M.17.2	1L017020000
	23201		JOINT CARBURETOR 2(FOR EU	1	170M.17.2b	1L01702b0000
2	23202	260.136	O-RING 35X2	2	170M.17-13	1L017000013
3	10085	100.001	BOLT M6X25	2	GB70-85	B02010625
4	23204	260.137	JOINT	1	170M.17-12	1L017000012
5	23205	260.134	HOSE CLAMP B	1	170M.17.4	1L017040000
6	43306		CASE.AIR CLEANER 1	1	170M.17-10	1L017000010
7	43307		CAP.CLEANER CASE 1	1	170M.17-2	1L017000002
8	43308	260.108	DUCT	1	170M.17-1	1L017000001
9	43309		JOINT.AIR CLEANER	1	170M.17-11	1L017000011
10	43310		ELEMENT.AIR CLEANER	1	170M.17-3	1L017000003
11	43311	260.133	PLATE ELEMENT	1	170M.17-4	1L017000004
12	43312		SEAL	1	170M.17-5	1L017000005
13	10281		SCREW.TAAPING	5	GB845-85	B02914824
14	43314	260.004	HOSE	1	153FM.7.1-7	1H007010007
15	43315		PLUG	1	170M.17-6	1L017000006
16	43321		CLIP	2	170M.17-7	1L017000007

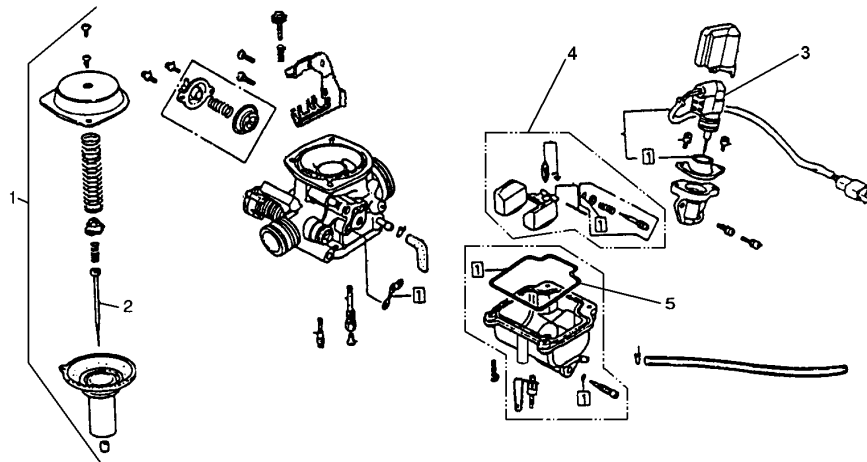
FWD



17	43316	260.005	GROMMET	2	170M.17-8	1L017000008
18	43317		COLLAR	2	170M.17-9	1L017000009
19	10170		SCREW M6X30	2	GB70-85	B02010630
20	43319		CLAMP.HOSE A	1	170M.17.1	1L017010000
21	43320	260.132	AIR CLEANER	1	170M.17.5	1L017050000

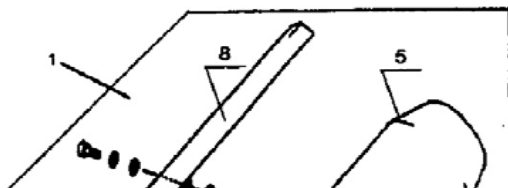
31. CARBURETOR

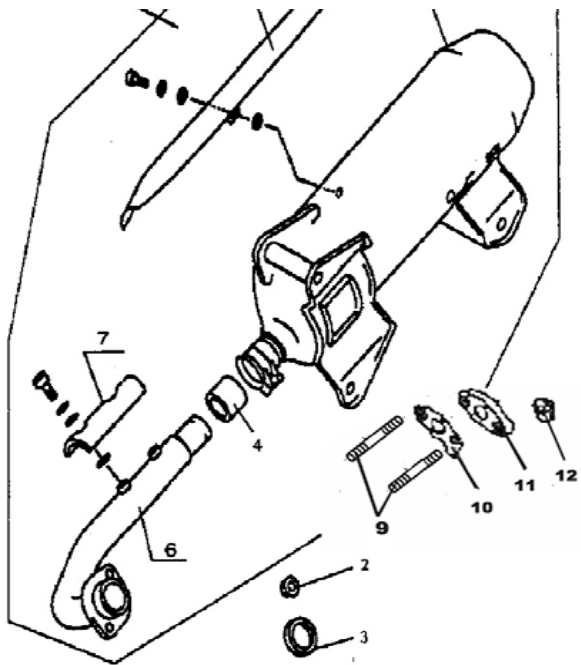
Ref#	Par#	CID#	Description	Qty	Linhai Code	Control Code
1	23301B	260.106	CARBURETOR ASSY	1	170M.13.2	1L013020000
2	23302	260.107	JET NEEDLE SET	1	170M.13.2-1	1L013020001
3	23303	260.105	AUTO CHOKE ASSEM	1	170M.13.2.1	1L013020100
4	23304		FLOAT ASSY	1	170M.13.2.2	1L013020200
5	23305		BOWL GASKET	1	170M.11.2-2	1L011020002



32. EXHAUST (FOR USA AND REAR DRUM BRAKE)

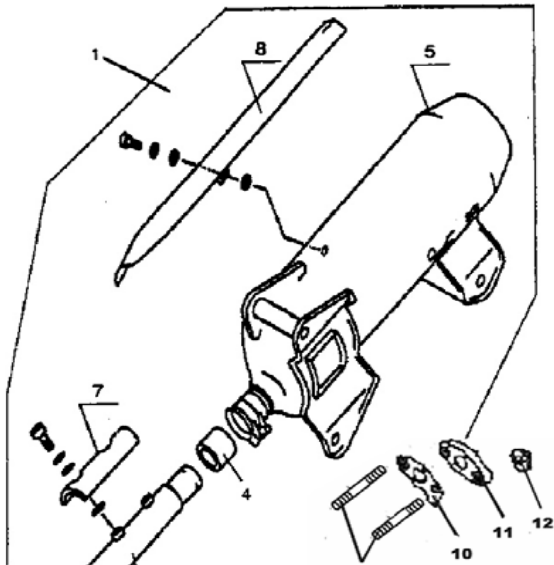
Ref#	Par#	CID#	Description	Qty	Linhai Code	Control Code
1	1342074		MUFFLER	1	170M.19	1L019000000
2	10079		NUT M8	2	GB/T6187	B015508
3	23403		GASKET 1 EXHAUST PIPE	1	170M.19.3	1L019030000
4	23411		GASKET 2 EXHAUST PIPE	1	170M.19.4	1L019040000



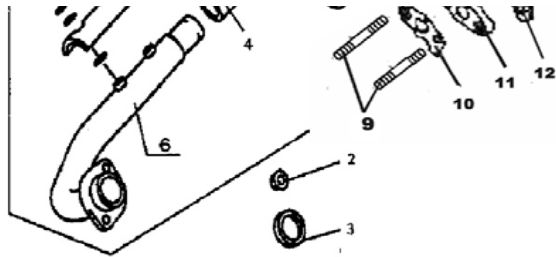


5	2709034		EXHAUST	1	170M.19.1.1	1L019010100
6	2709035		EXHAUST PIPE	1	170M.19.2	1L019020000
7	2709036		SMALL PROTECTIVE PANEL	1	170M.19-1	1L019000001
8	2709037		PROTECTIVE PANEL	1	170M.19.1-1	1L019010001
9	020000011		BOLT	2	170M.20-11	1L020000011
10	43510		WASHER	1	170M.20-10	1L020000010
11	43511		HOSE	1	170M.20.3	1L020030000
12	10004		NUT M6	2	GB/T6187	B015506

33. EXHAUST (FOR USA AND REAR DISC BRAKE)

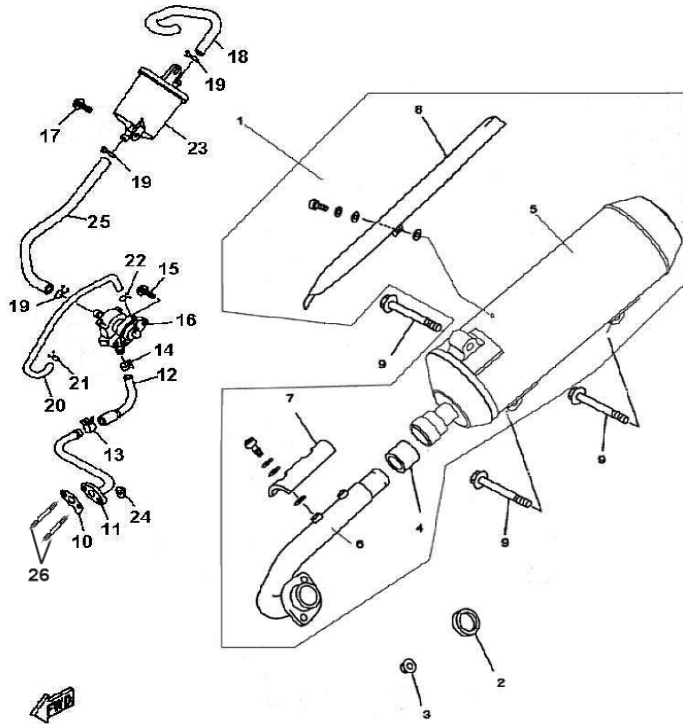


Ref#	Par#	CID#	Description	Qty	Linhai Code	Control Code
1	43501		MUFFLER	1	170M.19a	1L019a000000
2	10079	100.100	NUT M8	2	GB/T6187	B015508
3	23403		GASKET 1 EXHAUST PIPE	1	170M.19.3	1L019030000
4	23411	260.141	GASKET 2 EXHAUST PIPE	1	170M.19.4	1L019040000
5	43505		EXHAUST	1	170M.19a.3	1L019a030000
6	43506		EXHAUST PIPE	1	170M.19.2	1L019020000
7	43507		SMALL PROTECTIVE PANEL	1	170M.19-1	1L019000001
8	43508		PROTECTIVE PANEL	1	170M.19a.2	1L019a020000
9	10247		BOLT M10X1.25X50	3	GB/T5790	B01091050A
10	43510		WASHER	1	170M.20-10	1L020000010
11	43511		HOSE	1	170M.20.3	1L020030000
12	10004		NUT M6	2	GB/T6187	B015506



13	020000011	BOLT	2	170M.20-11	1L020000011

34. EXHAUST (FOR EUROPE)



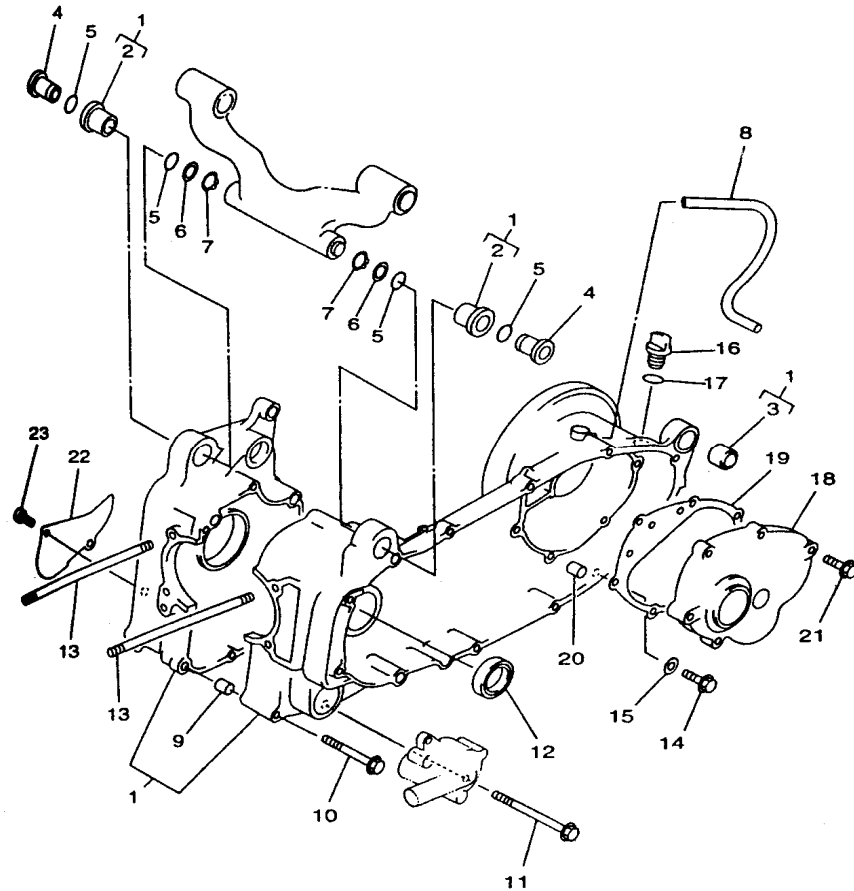
Ref#	Par#	CID#	Description	Qty	Linhai Code	Control Code
1	43501a		MUFFLER	1	170M.19b	1L019b000000
2	10079	100.100	NUT M8	2	GB/T6187	B015508
3	23403		GASKET 1 EXHAUST PIPE	1	170M.19.3	1L019030000
4	23411	260.141	GASKET 2 EXHAUST PIPE	1	170M.19.4	1L019040000
5	43505b		EXHAUST	1	170M.19b.1	1L019b010000
6	43506		EXHAUST PIPE	1	170M.19.2	1L019020000
7	43507		SMALL PROTECTIVE PANEL	1	170M.19-1	1L019000001
8	43508		PROTECTIVE PANEL	1	170M.19a.2	1L019a020000
9	10247		BOLT M10X1.25X50	3	GB/T5790	B01091050A
10	43510		WASHER	1	170M.20-10	1L020000010
11	43511		HOSE	1	170M.20.3	1L020030000
12	43512		HOSE C	1	170M.20-8	1L020000008
13	43513		CLIP 16	1	170M.20-9	1L020000009
14	43514		CLIP 13	1	170M.20-4	1L020000004
15	10263		BOLT M6X20	2	GB/T5789	B01030620
16	43516		VALVE	1	170M.20.2	1L020020000
17	10140		BOLT M6X12	2	GB/T5787	B01040612
18	43518		HOSE A	1	170M.20-1	1L020000001
19	43519		HOSE CLAMP 16	3	170M.20-2	1L020000002
20	43520		PIPE	1	170M.20-7	1L020000007
21	43521		CLIP 9	1	170M.20-6	1L020000006



3

22	43522		CLIP 7.6	1	170M.20-5	1L020000005
23	43523		FILTER	1	170M.20.1	1L020010000
24	10004		NUT M6	2	GB/T6187	B015506
25	43525		HOSE	1	170M.20-3	1L020000003
26	020000011		BOLT	2	170M.20-11	1L020000011

35. CRANKCASE



Ref#	Par#	CID#	Description	Qty	Linhai Code	Control Code
1	23501A	260.029	CRANKCASE ASSY	1	170M.4	1L004000000
2	23502		HOLDER	2	170M.4.7	1L004070000
3	43603		BUSH REAR SHOCK ABSORBER	1	157FM2A.17.5	1K117050000
4	23503		COLLAR	2	170M.4-17	1L004000017
5	23504		O-RING 16X2.5	4	170M.4-16	1L004000016
6	23505		WASHER PLATE 16	2	170M.4-18	1L004000018
7	10121		CIRCLIP 16	2	GB894.1	B036216
8	43608		HOSE	1	170M.4-20	1L004000020
9	22422	100.082	DOWEL PIN 10X14	4	1E52FM01001	1E001001100
10	23508		FLANGE BOLT M6X70	4	170M.4-5	1L004000005
11	23509		FLANGE BOLT M6X100	5	153FM.16-9	1H016000009
12	23510	260.049	OIL SEAL 30X45X5	1	170M.4.3	1L004030000
13	23511	260.040	STUD BOLT M8X245	4	170M.4-3	1L004000003
14	43614		BOLT FLANGE	1	170M.4-11	1L004000011
15	43615		WASHER PLATE	1	170M.4-10	1L004000010
16	43616	100.068	PLUG OIL	1	170M.4-22	1L004000022
17	43617		O-RING	1	170M.4-23	1L005000023
18	43618	260.033	COVER CRANKCASE2	1	170M.10-1	1L010000001
19	43619	260.034	GASKET CRANKCASE COVER2	1	170M.10-2	1L010000002
20	22422	100.082	PIN DOWEL 10X14	2	1E52FM01001	1E001001100
21	10169		BOLT FLANGE	6	GB5781-86	B01050840

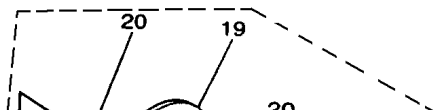
22	23512		COVER CRANKCASE2	1	170M.4-12	1L004000012
23	10036	100.086	BOLT SOCKET HEAD	2	GB70-85	B02010614

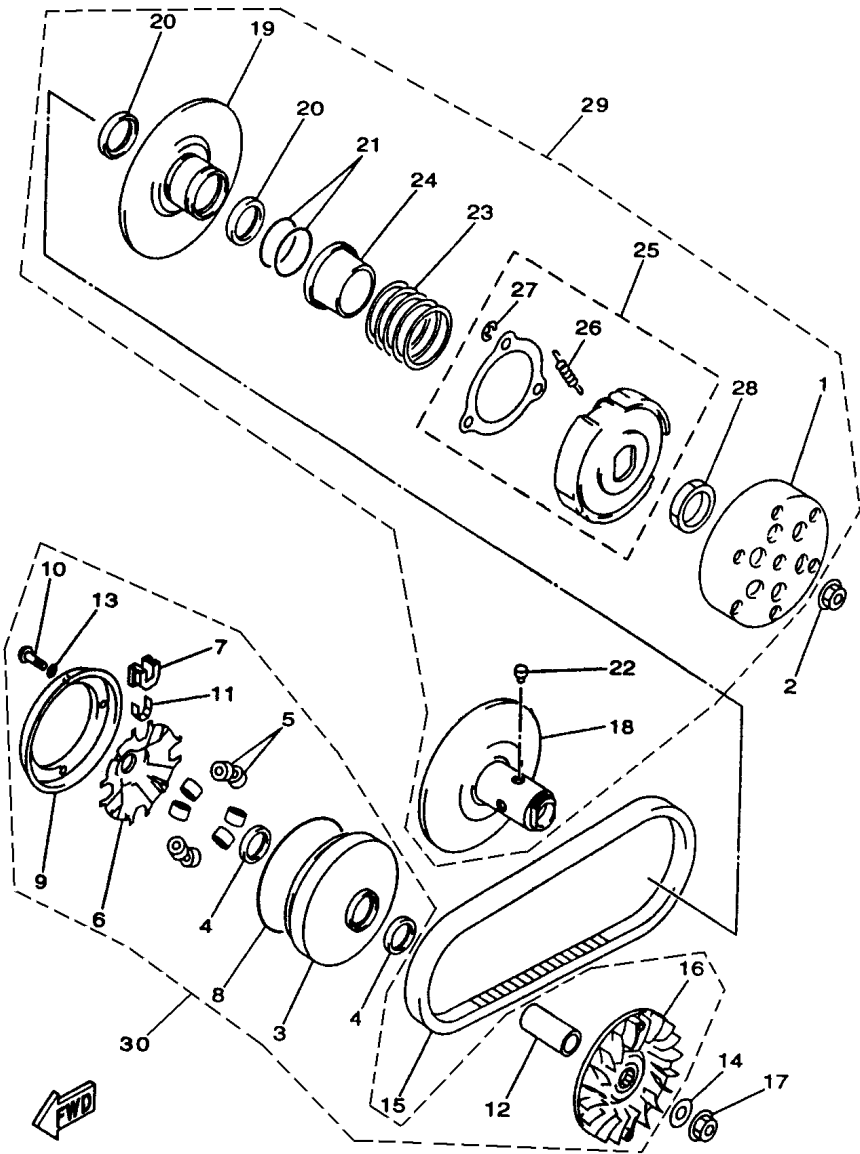
36. LEFT COVER		Ref#	Par#	CID#	Description	Qty	Linhai Code	Control Code
	1	43601		COVER CRANKCASE LEFT	1	170M.18-4	1L018000004	
		43601a		COVER CRANKCASE LEFT (USE WITH HIGH-POWER CLUTCH)	1	170M.18-4a	1L018000004a	
	2	43602	260.035	COVER CRANKCASE GASKET LE	1	170M.18-3	1L018000003	
	3	22422	100.082	DOWEL PIN 10X14	4	1E52FM01001	1E001001100	
	4	23615	100.087	BOLT DOWEL	20	170M.4-21	1L004000021	
	5	43605	260.044	DUCT AIR	1	170M.18.1.1	1L018010100	
	6	43606		SEAQL AIR DUCT	1	170M.18.1-5	1L018010005	
	7	43607	260.043	ELEMENT 1	1	170M.18-1	1L018000001	
	8	10127		SCREW PAN HEAD	3	GB818	B02020620	
	9	43609	260.045	COVER CRANKCASE3	1	170M.18.3-1	1L018030001	
	10	43610		DAMPER ENGINE MOUNT1	1	170M.18-5	1L018000005	
	11	43611		DAMPER ENGINE MOUNT2	1	170M.18.3-2	1L018030002	
	12	43612		DAMPER3	2	170M.18.3-3	1L018030003	
	13	43613		BOLT1	2	170M.18.2	1L018020000	
	14	23616		CAP COVER	1	170M.5-1	1L005000001	
		23616A		CAP COVER (USE WITH HIGH POWER GENERATOR)	1	170M.5-1a	1L005000001a	
	15	23617	260.039	GASKET CARBURETOR COVER	1	170M.5-2	1L005000002	
	16	23609		OIL SEAL	1	170M.5.1	1L005010000	
	17	23611	260.041	OIL PLUG	1	170M.5-5	1L005000005	
	18	10122	260.042	O-RING 18X2.65	1	GB3452.1	B121180265	
	19	23613	260.038	OIL PLUG	1	170M.5-4	1L005000004	
	20	10123	260.037	O-RING 14X2.65	1	GB3452.1	B121140265	
21	43621		BEARING 6906Z (USE WITH HIGH-POWER CLUTCH)	1	GB/T276	B1316906		
22	10321		O-RING 26.5X1.8 (USE WITH HIGH-POWER CLUTCH)	1	GB3452.1	B121265180		

23	43623		SPACER (USE WITH HIGH-POWER CLUTCH)	1	170M.18-6	1L018000006
----	-------	--	-------------------------------------	---	-----------	-------------

37. STARTER		Ref#	Par#	CID#	Description	Qty	Linhai Code	Control Code
		1	23701	260.143	GEAR IDLER	1	170M.7.1	1L007010000
		2	23702	260.142	SHAFT	1	170M.7-2	1L007000002
		3	23703	100.028	WASHER 12	1	170M.7-1	1L007000001
		4	10129		CIRCLIP 12	1	GB894.1-86	B036212
		5	23705	260.145	GEAR REDUCTION	1	170M.7.2	1L007020000
		6	23706	260.146	STARTER CLUTCH	1	170M.7.3	1L007030000
		7	10131		SOCKET HEAD BOLT M8X16	3	GB70	B02010816

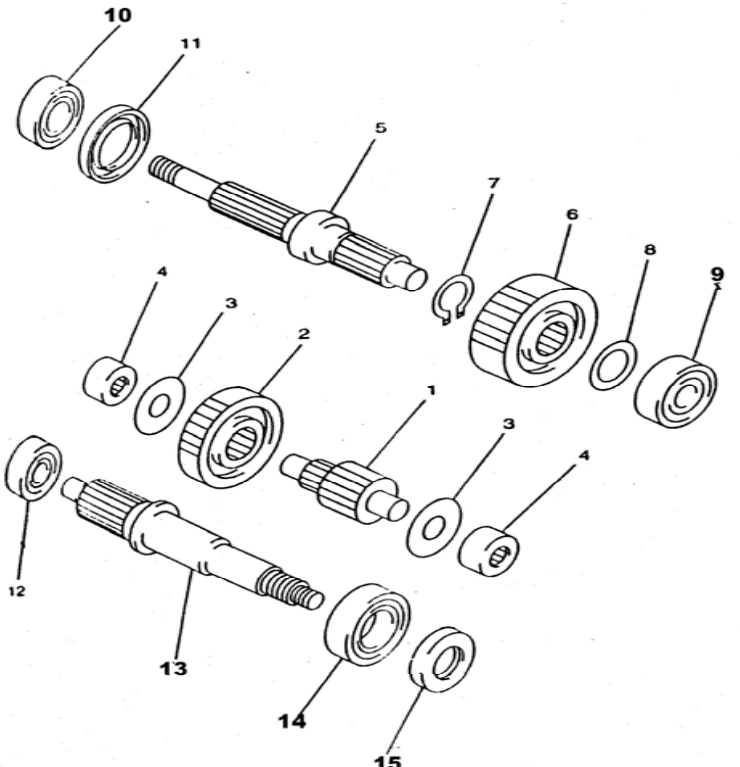
38. CLUTCH		Ref#	Par#	CID#	Description	Qty	Linhai Code	Control Code
		1	23801		CLUTCH HOUSING COMP.	1	170M.9.2.3	1L009020300
			23801a		CLUTCH HOUSING COMP. (USE WITH HIGH-POWER)	1	170M.9.2a.3	1L00902a0300
		2	23802	100.098	NUT M14X1	1	170M.9-2	1L009000002
		3	23803		PRIMARY SLIDING SHEAVE COMP	1	170M.9.1.1	1L009010100
		4	23804		OIL SEAL	2	170M.9.1-5	1L009010005
		5	23805		WEIGHT	8	170M.9.1.2	1L009010200
		6	23806		CAM	1	170M.9.1-4	1L009010004
7	23807		SLIDER	4	170M.9.1-1	1L009010001		

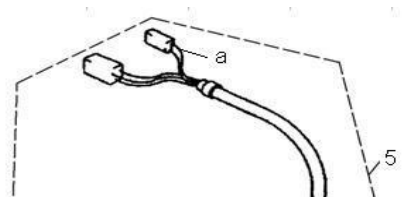


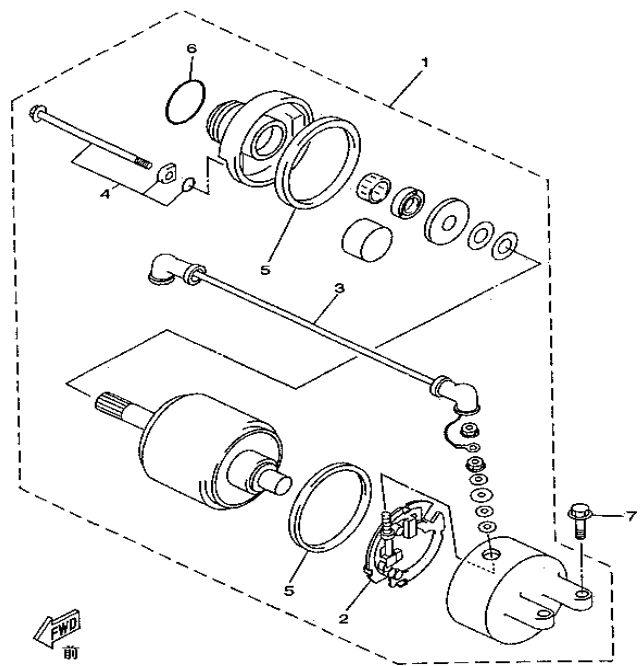


8	23808		O-RING 118X2.5	1	170M.9.1-6	1L009010006
9	23809		STOPPER	1	170M.9.1-2	1L009010002
10	10132		PAN HEAD SCREW M4X12	4	GB818	B02020412
11	23811		SPACER 1	4	170M.9.1-3	1L009010003
12	23812		COLLAR	1	170M.9-1	1L009000001
13	23813		WASHER PLATE 4	4	170M.9.1-8	1L009010008
14	23814	100.056	WASHER PLATE 14	1	170M.9-3	1L009000003
15	23815		V-BELT	1	170M.9-4	1L009000004
16	23816	260.103	SHEAVE PRIMARY FIXED	1	170M.9.1-7	1L009010007
17	23802	100.098	NUT M14X1	1	170M.9-2	1L009000002
18	23818		SECONDARY FIXED SHEAVE COMP.INCLUDE TWO BEARINGS ONE OIL SEAL AND ONE CIRCLIP	1	170M.9.2.1.1 170M.9.2.1-5 170M.9.2.1-6 170M.9.2.1-7 170M.9.2.1-8	1L0090201010C 1L009020105 1L009020106 1L009020107 1L009020108
19	23819		SECONDARY SLIDING SHEAVE	1	170M.9.2.1.2	1L0090201020C
	23819a		SECONDARY SLIDING SHEAVE * (USE WITH HIGH-POWER	1	170M.9.2a.1.2	1L00902a01020C
20	23820		OIL SEAL	2	170M.9.2.1-4	1L009020104
21	23821		O-RING 45X1.8	2	170M.9.2.1-3	1L009020103
22	23822		PIN GUIDE	4	170M.9.2.1-2	1L009020102
23	23923		COMPRESSION SPRING	1	170M.9.2.1	1L009020100
24	23924		SEAT SECONDARY SPRING	1	170M.9.2.1-1	1L009020101
25	23925		CLUTCH CARRIER ASSY	1	170M.9.2.2	1L009020200
	23925a		CLUTCH CARRIER ASSY *(USE WITH HIGH-POWER CLUTCH)	1	170M.9.2a.2	1L00902a0200
26	23926		CLUTCH WEIGHT SPRING 1	3	170M.9.2.2-4	1L009020204
	23926a		CLUTCH WEIGHT SPRING 1 * (USE WITH HIGH-POWER	3	170M.9.2a.2-4	1L00902a0204
27	10133		CIRCLIP 8	3	GB896	B036308
28	23928		NUT M36X1.5	1	170M.9.2-2	1L009020002
29	23929		DRIVEN ASSY COMPLETE	1	170M.9.2	1L009020000

	23929a		CLUTCH WEIGHT SPRING 1* (USE WITH HIGH-POWER)	3	170M.9.2a	1L00902a0000
30	23930	260.102	DRIVE ASSY COMPLETE	1	170M.9.1	1L009010000

39. TRANSMISSION		Ref#	Par#	CID#	Description	Qty	Linhai Code	Control Code
		1	44101	260.096	AXLE MAIN	1	170M.10-5	1L010000005
		2	44102	260.097	GEAR PRIMARY DRIVEN	1	170M.10-6	1L010000006
		3	44103	100.097	WASHER 15	2	170M.10-4	1L010000004
		4	44104	260.095	BEARING CYLIDRICAL	2	170M.10.1	1L010010000
		5	44105	260.092	AXLE DRIVE (THE DIAMETER OF AXLE DRIVE IS 15mm)	1	170M.10-8a	1L010000008a
			44105a		AXLE DRIVE (THE DIAMETER OF AXLE DRIVE IS 17mm)	1	173M.10-8	1M010000008
		6	44106	260.093	GEAR 1ST WHEEL	1	170M.10-10	1L010000010
		7	10164		CIRCLIP	1	GB/T894.1	B036224
		8	44108	100.096	WASHER PLATE	1	170M.10-9	1L010000009
		9	10165		BEARING 6303/P5	1	GB/T276	B1316303
		10	44110	260.090	BEARING 62/22RS	1	170M.4.5	1L004050000
		11	44111	260.091	OIL SEAL	1	170M.4.4	1L004040000
		12	10144	260.031	BEARING 302/P5	1	GB/T276	B1316302
		13	44113	260.099	GEAR PRIMARY DRIVEN	1	170M.10-3	1L010000003
			44113a		GEAR PRIMARY DRIVEN (USE WITH HIGH-POWER CLUTCH)	1	170M.10-3a	1L010000003a
14	10061	260.100	BEARING 6025C3	1	GB/T276			
15	44115	260.101	OIL SEAL	1	170M.10.2	1L010020000		

40. GENERATOR		Ref#	Par#	CID#	Description	Qty	Linhai Code	Control Code
		1	24001		STATOR ASSY (THE COLOR OF a IS WHITE)	1	170M.6.1.2	1L006010200
			24001A		HIGH-POWER GENERATOR STATOR ASSY	1	170M.6.1.2b	1L0060102b00
		2	24002		ROTOR ASSY (GREEN COLOR)	1	170M.6.1.1	1L006010100
			24002A		HIGH-POWER GENERATOR ROTOR ASSY (WHITE COLOR)	1	170M.6.1.1b	1L0060101b00



0

0

00