

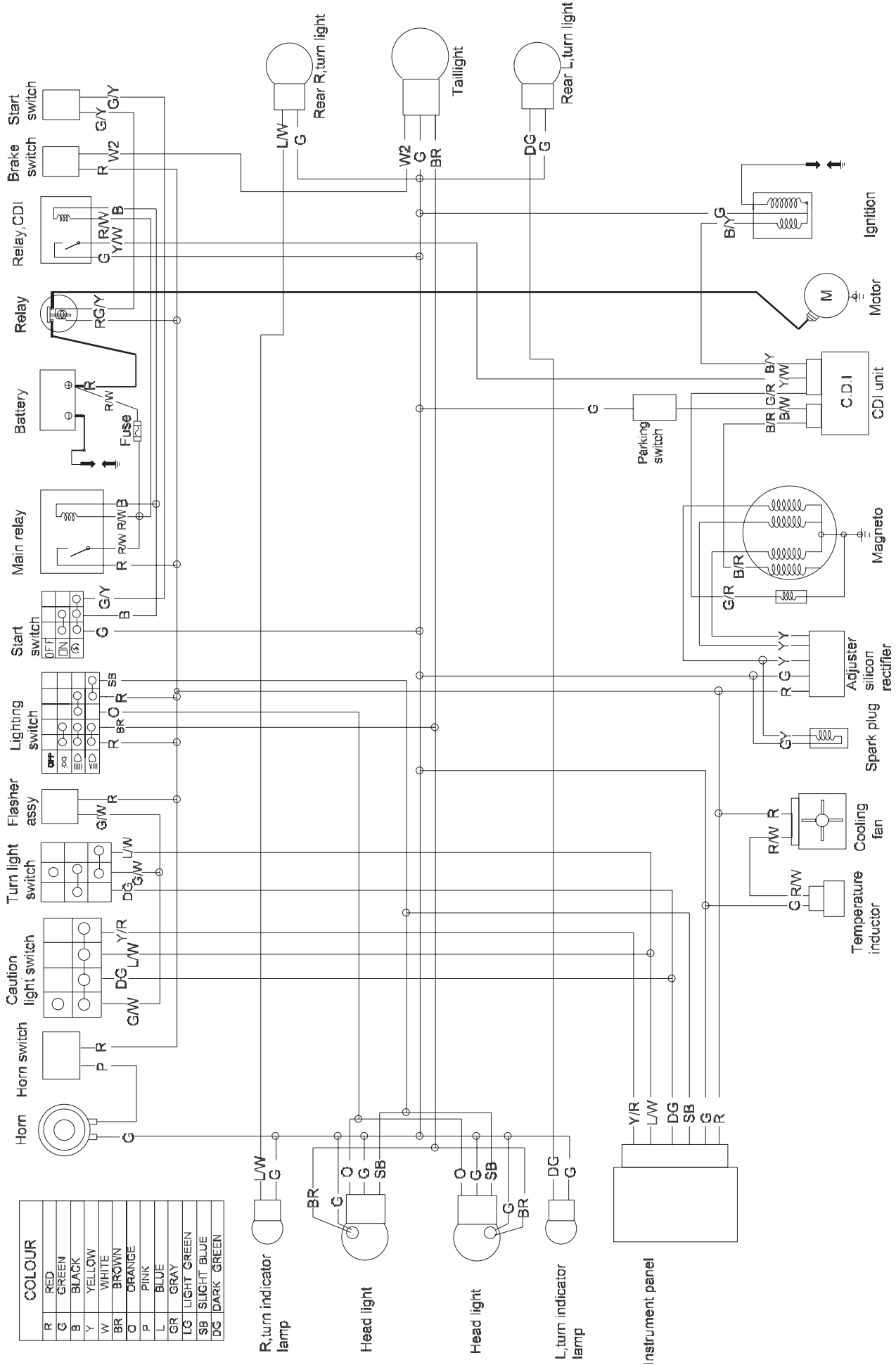
- XF250-2A
- XF250-2AR

---

# Parts Catalogue

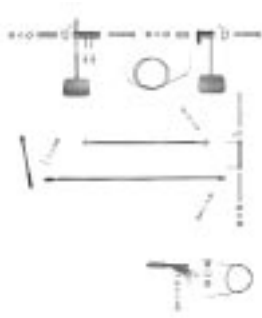


# WIRING DIAGRAM



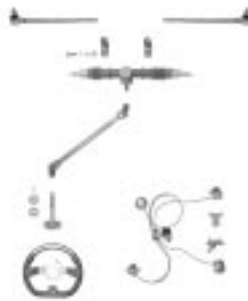
**FIG. 1**

CONTROLS



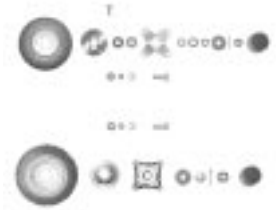
**FIG. 2**

STEERING SHAFT ASSY



**FIG. 3**

FRONT WHEEL&REAR WHEEL



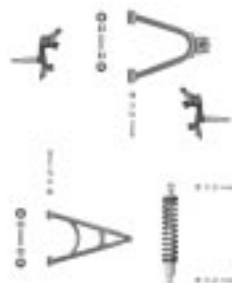
**FIG. 4**

FRAME ASSY



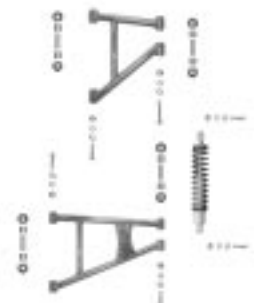
**FIG. 5**

FRONT SUSPENSION  
ARM ASSY.



**FIG. 6**

REAR SUSPENSION ARM ASSY.



**FIG. 7**

REAR DRIVE AXLE ASSY



**FIG. 8**

COOLANT ASSY



**FIG. 9**

ELECTRICAL ASSY



**FIG. 10**

CYLINDER HEAD ASSY(1)



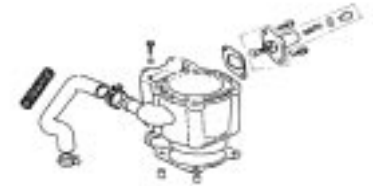
**FIG. 11**

CYLINDER HEAD ASSY(2)



**FIG. 12**

CYLINDER BODY ASSY



**FIG. 13**

CRANKCASE ASSY(1)



**FIG. 14**

CRANKCASE ASSY(2)



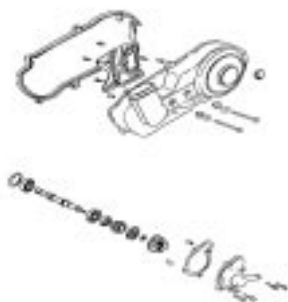
**FIG. 15**

CRANK SHAFT PISTON  
CONNECTING ROD, VALVE  
TRAIN ASSY



**FIG. 16**

LEFT COVER, WATER  
COOLING ASSY



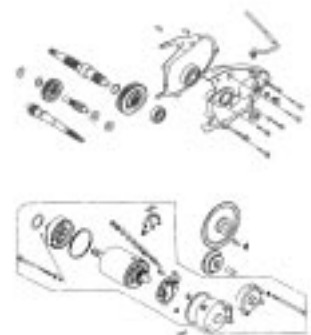
**FIG. 17**

OIL PUMP, CLUTCH ASSY



**FIG. 18**

SLOWDOWN GEAR, ELECTRICAL  
STARTER ASSY



**FIG. 19**

DRIVE PLATE ASSY



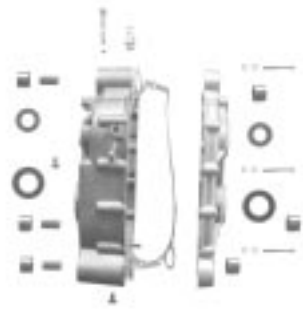
**FIG. 20**

REVERSE ASSY(1)



**FIG. 21**

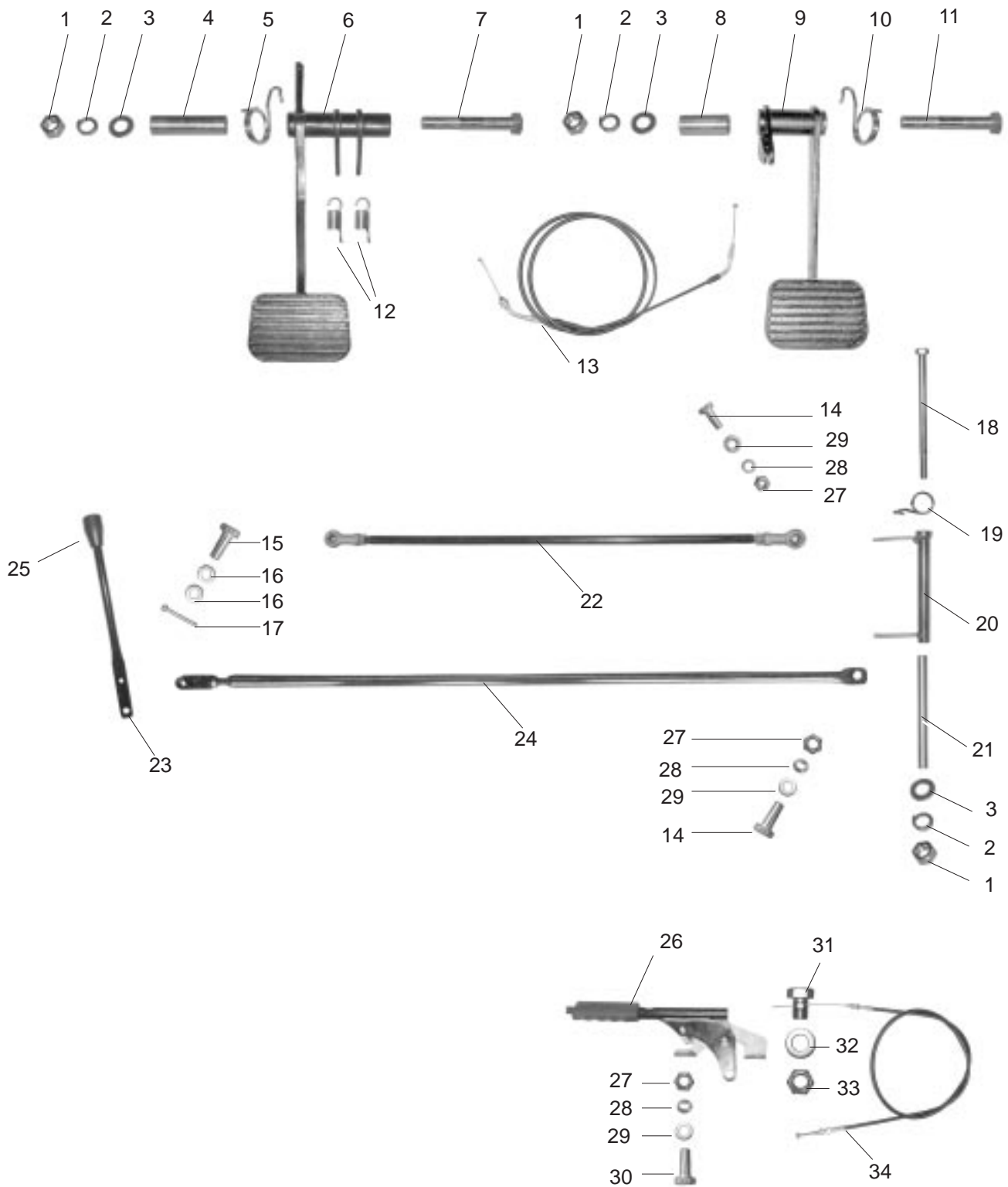
REVERSE ASSY(2)



**Subject to change without notice!**

# FIG. 1

## CONTROLS

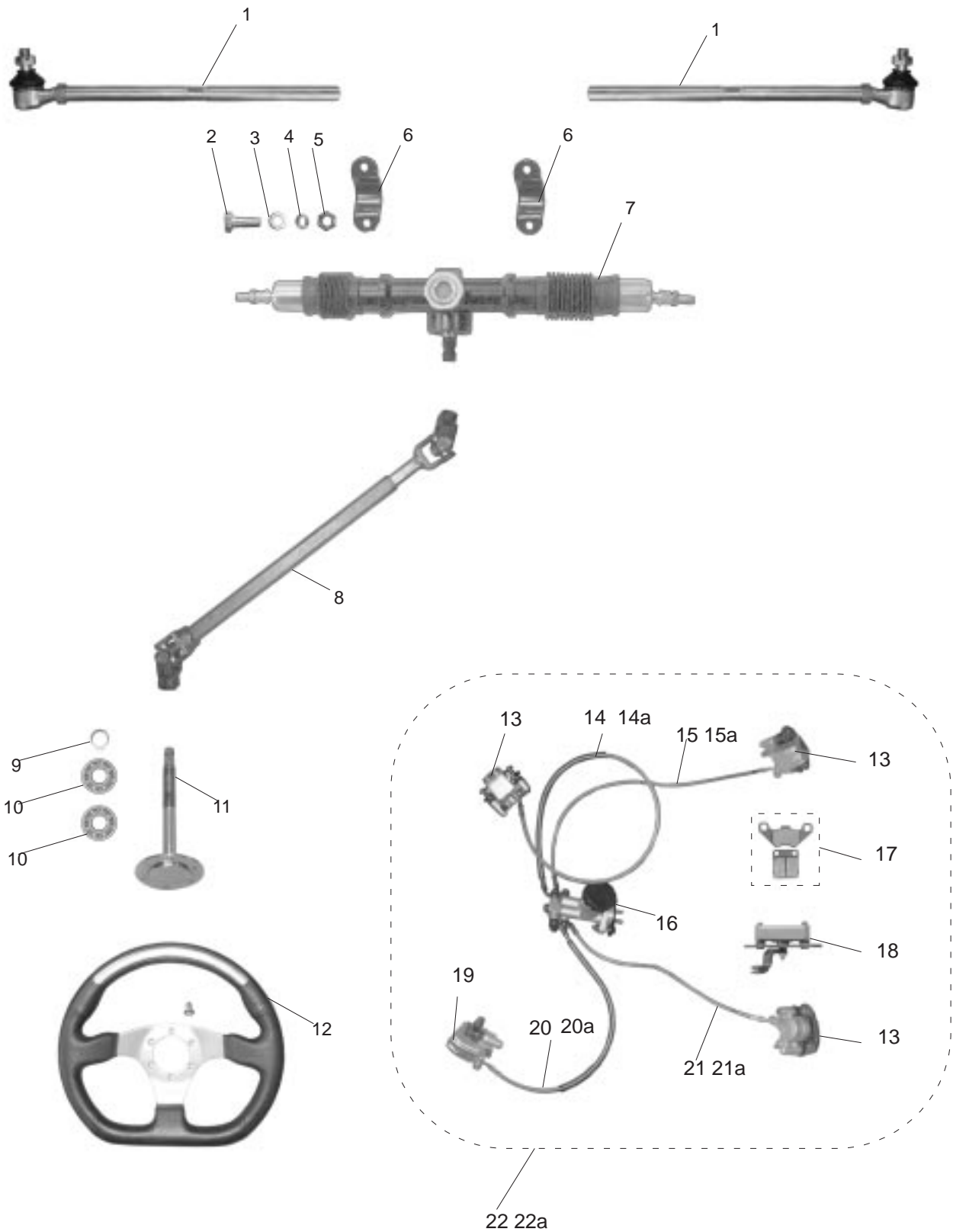


# CONTROLS

REF NO.	PART NO.	DESCRIPTION	REGD NO.
1	GB6171-86	NUT M10X1.25	2
2	GB93-87	SPRING WASHER 10MM	2
3	GB97.1-85	WASHER 10MM	2
4	250-2A-2102001	COLLAR,BRAKE PEDAL	1
5	300-2102006	SPRING,THROTTLE PEDAL(LEFT)	1
6	250-2A-2102100	BRAKE PEDAL	1
7	GB5782-86	BOLT M10X1.25X130	1
8	250-2A-2104001	COLLAR,THROTTLE PEDAL	1
9	250-2A-2104100	THROTTLE PEDAL	1
10	G-2100004	SPRING , THROTTLE PEDAL	1
11	GB5782-86	BOLT M10X1.25X80	1
12	G-1813001	SPRING ,BRAKE PEDAL	2
13	250-2A-2104200	CABLE,THROTTLE COMP.	1
14	G-1000011	BOLT,	2
15	A-2100018	DOWEL,	1
16	A-2100019	SPECIAL WASHER	1
17	GB91-86	PIN , 2X20	1
18	GB5782-86	BOLT M10X1.25X170	1
19	300-2102006	SPRING, THROTTLE	1
20	250-2A-1707200	BRACKET, LINKAGE BRIDGE	1
21	250-2A-1707003	COLLAR, BRCKET LINKAGE BRIDGE	1
22	250-2A-1707310	LINKAGE, REVERSE	1
23	250-2A-1707001	CONTROL LEVER	1
24	250-2A-1707100	LINKAGE, CONTROL LEVER	1
25	250-2A-1707002	SHEATH, CONTROL LEVER	1
26	G-2100900	HAND BRAKE LEVER	1
27	GB6170-86	NUT, 8MM	3
28	GB93-87	SPRING WASHER, 8MM	3
29	GB97.1-85	WASHER , 8MM	3
30	GB5783-86	BOLT, M8X25	1
31	G-1700008	SPECIAL BOLT	1
32	GB97.1-85	WASHER , 12MM	1
33	GB6173-85	NUT , M12X1.25	1
34	250-2A-2103120	CABLE, BRAKE BAR	1

# FIG. 2

## STEERING SHAFT ASSY



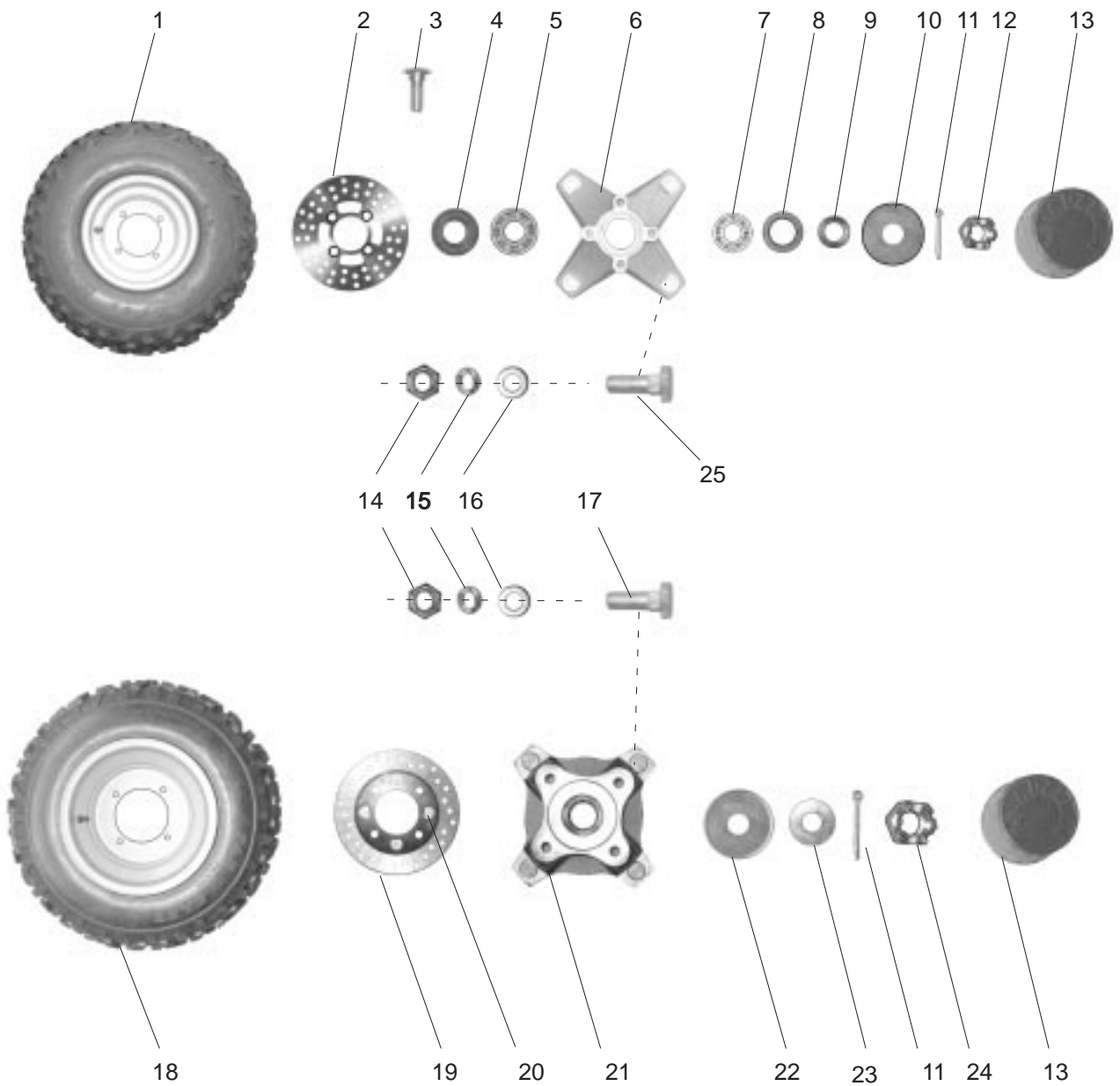


# STEERING SHAFT ASSY

<b>REF NO.</b>	<b>PART NO.</b>	<b>DESCRIPTION</b>	<b>REGD NO.</b>
1	250-2A-2100400	TIE ROD ASSY	2
2	GB5783-86	BOLT ,M8X30	4
3	GB97.1-85	WASHER ,8MM	4
4	GB93-87	SPRING WASHER ,8MM	4
5	GB6170-86	NUT,M8	4
6	150SG-2100002	FIXED PLATE,BEARING CONTROL	2
7	250-2A-2100300	BEARING CONTROL	1
8	250-2A-2100200	GIMBALS	1
9	GB/T894.1	LOCK RING,17MM	1
10	GB278-84	BEARING,6003	2
11	150SG-B-2100100	STEERING SHAFT	1
12	150SG-B-2100001	STEERING WHEEL	1
13	G-2108006-R	BRAKE CALIPER, R	1
14	250-2A-2103100	BRAKE HOSE#1 (FOR 250-2A)	1
14a	250-2AR-2103100	BRAKE HOSE#1 (FOR 250-2AR)	1
15	250-2A-2103200	BRAKE HOSE#2 (FOR 250-2A)	1
15a	250-2AR-2103200	BRAKE HOSE#2 (FOR 250-2AR)	1
16	SG-A-1602100	BRAKE PUMP BODY ASSY	1
17	G-1602003	BRAKE PADS	1
18	SG-A-1602200	CONTROL ASSY, BRAKE	1
19	G-2108006-L	BRAKE CALIPER, L	1
20	250-2A-2103300	BRAKE HOSE#3 (FOR 250-2A )	1
20a	250-2AR-2103300	BRAKE HOSE#3 (FOR 250-2AR)	1
21	250-2A-2103400	BRAKE HOSE #4 (FOR 250-2A)	1
21a	250-2AR-2103400	BRAKE HOSE #4 (FOR 250-2AR)	1
22	250-2A-2103000	BRAKE PUMP ASSY (FOR 250-2A )	1
22a	250-2AR-2103000	BRAKE PUMP ASSY (FOR 250-2AR)	1

# FIG. 3

## FRONT WHEEL & REAR WHEEL

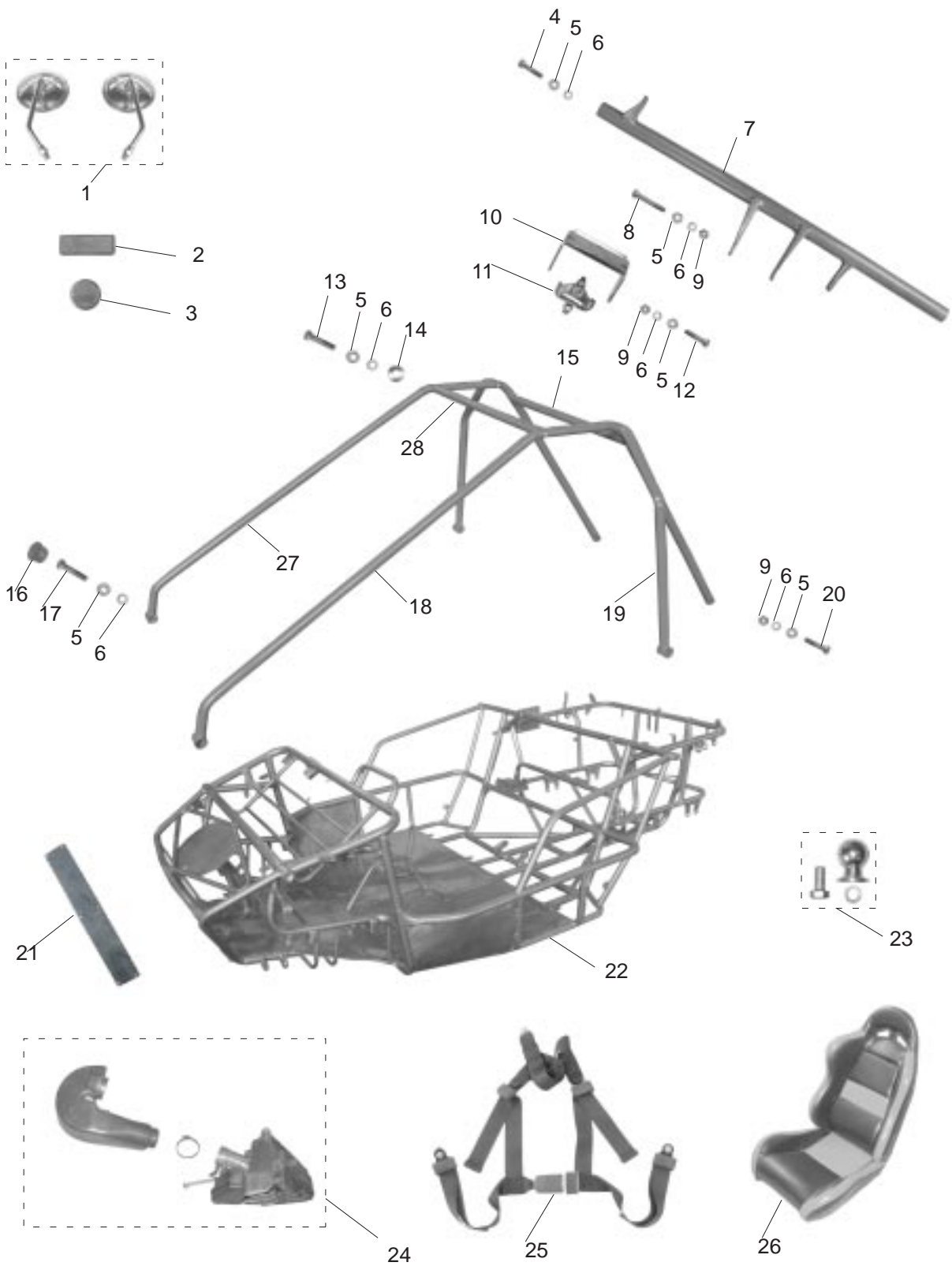


# FRONT WHEEL & REAR WHEEL

REF NO.	PART NO.	DESCRIPTION	REGD NO.
1	250-2A-1503000	FRONT TIRE,22X7-10	2
2	A250-2103009	FRONT BRAKE DISC	2
3	A250-1500006	BOLT, FRONT BRAKE DISC	12
4	HG4692-67	OIL SEAL,47X25X7	2
5	GB276-89	BEARING,104	2
6	A250-1500001	FRONT BRAKE DRUM	2
7	GB276-89	BEARING, 202	2
8	HG4692-67	OIL SEAL,35X22X7	2
9	A250-1500004	INNER GASKET	2
10	GB97.1-86	WASHER,14MM	2
11	GB91-86	PIN,2.5X30	2
12	GB9459-86	NUT,M14X1.5	2
13	G-1500002	RUBBER COVER	4
14	GB6171-86	NUT,M10X1.25	16
15	GB93-87	LOCK WASHER,10MM	16
16	GB97.1-86	WASHER,10MM	16
17	G-1500004	TIRE BOLT, M10X1.25	4
18	250-2A-1602000	REAR TIRE,24X11-10	2
19	SG-A-1602005	REAR BRAKE DISC	2
20	G-1600003	TIRE BOLT, M8X1	4
21	SG-A-1600007	REAR HUB	2
22	A250-1600006	BASE, REAR AXLE	2
23	250-2A-1600001	GASKET, REAR TIRE	2
24	GB9459-86	NUT,M16X1.5	2
25	A250-1500007	BOLT, FRONT TIRE	8

# FIG. 4

## FRAME ASSY.

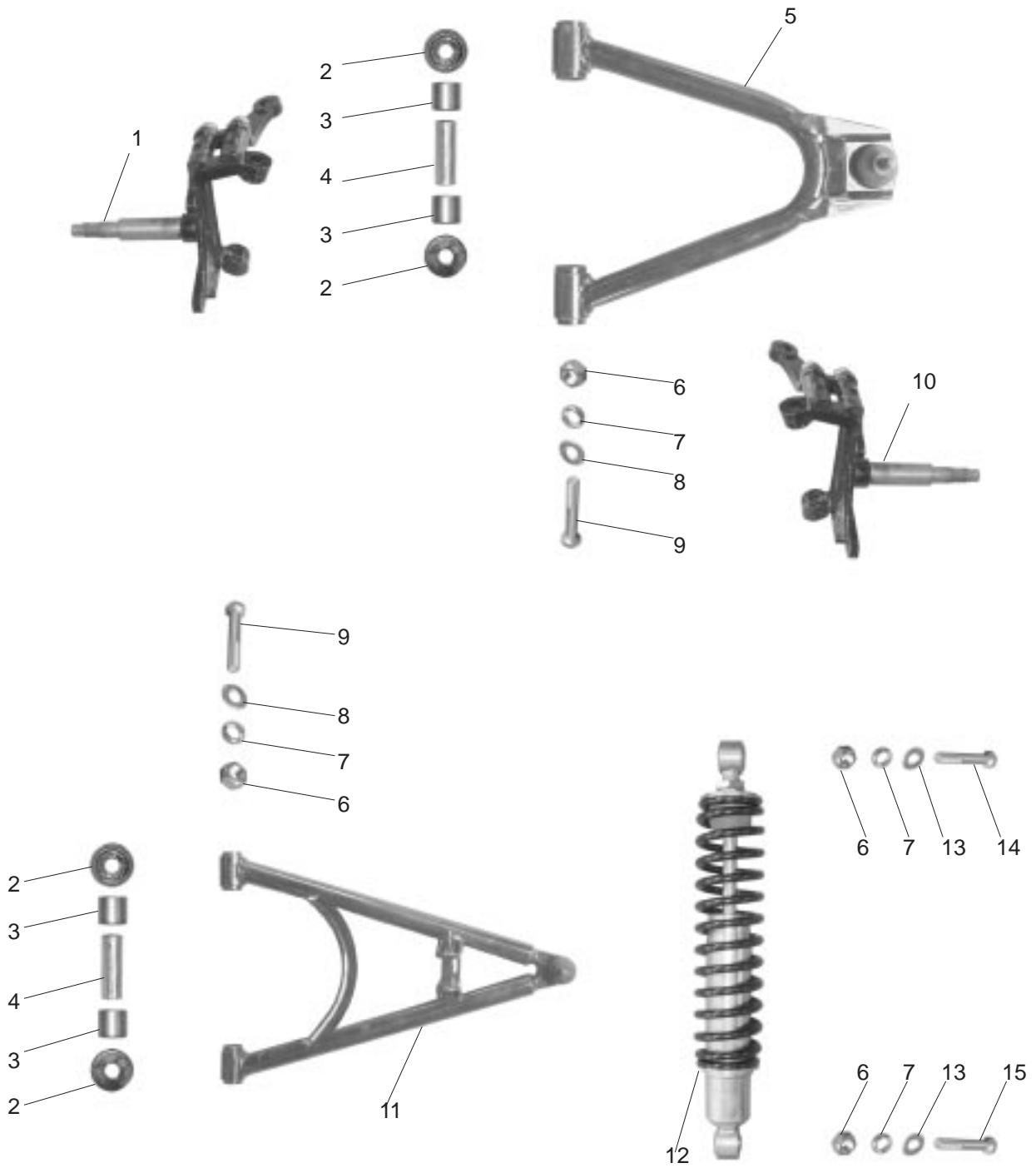


## FRAME ASSY

REF NO.	PART NO.	DESCRIPTION	REGD NO.
1	2A-1800300	MIRRORS	1SET
2	SG-B-2300002	REFLECTOR,QUADRATE	2
3	SG-B-2300001	REFLECTOR,CIRCULAR	4
4	GB5782-86	BOLT,M10X1.25X50	2
5	GB97.1-85	FLAT WASHER, 10MM	14
6	GB93-87	SPRING WASHER,10MM	14
7	250-2A-1703000	REAR BRACKET,ENGINE	1
8	GB5782-86	BOLT,M10X1.25X120	1
9	GB6171-86	NUT ,M10X1.25	2
10	250-2A-1702002	FRONT CONNECT PLATE,ENGINE	1
11	250-2A-1702001	CUSHION RUBBER,ENGINE	1
12	GB572886	BOLT, M10X1.25X50	1
13	GB5782-86	BOLT,M10X1.25X60	4
14		SPECIAL WASHER	4
15	250-2A-1706500	REAR TUBE,CONNECTING	1
16	G-1700015	RUBBER TOP	4
17	GB5782-86	BOLT, M10X1.25X50	4
18	250-2A-1706100	LEFT BUSHING GUARD,MAIN	1
19	250-2A-1706300	BUSHING GUARD,SIDE	2
20	GB5782-86	BOLT,M10X1.25X50	2
21	250-2A-1700004	FRONT PLATE ORNAMENT	1
22	250-2A-1701000	FRAME COMP	1
23	A250-2600100	BALL COMP.	1
24	250-2A-2500000	AIR CLEANER ASSY	1
25	SG-2500300	SEAT BELT HARNESS ASSY	1
26	SG-A-2500100	SEAT COMP.	1
27	250-2A-1706200	RIGHT BUSHING GUARD,MAIN	1
28	250-2A-1706400	FRONT TUBE,CONNECTING	1

# FIG. 5

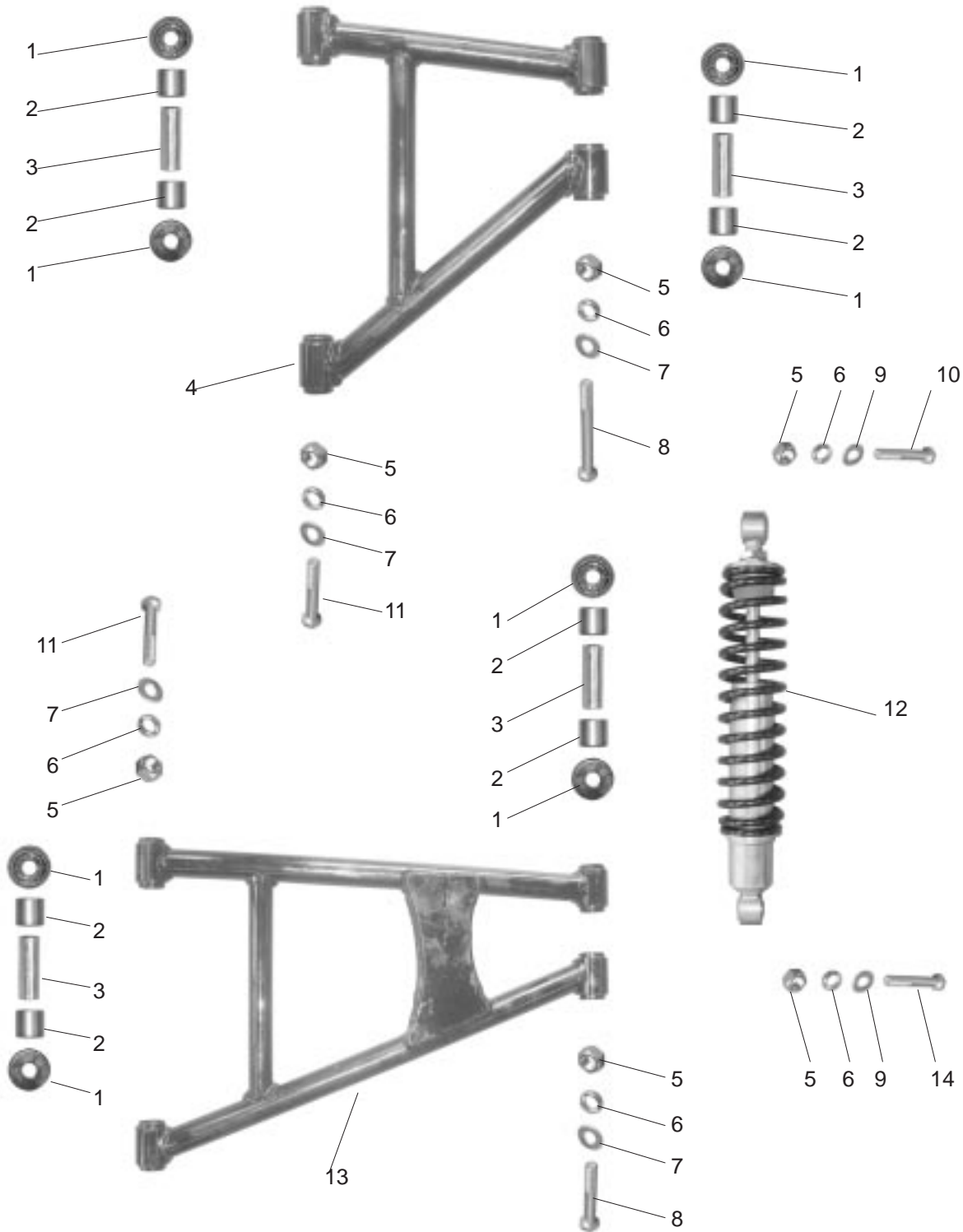
## FRONT SUSPENSION ARM ASSY





# FIG. 6

## REAR SUSPENSION ARM ASSY

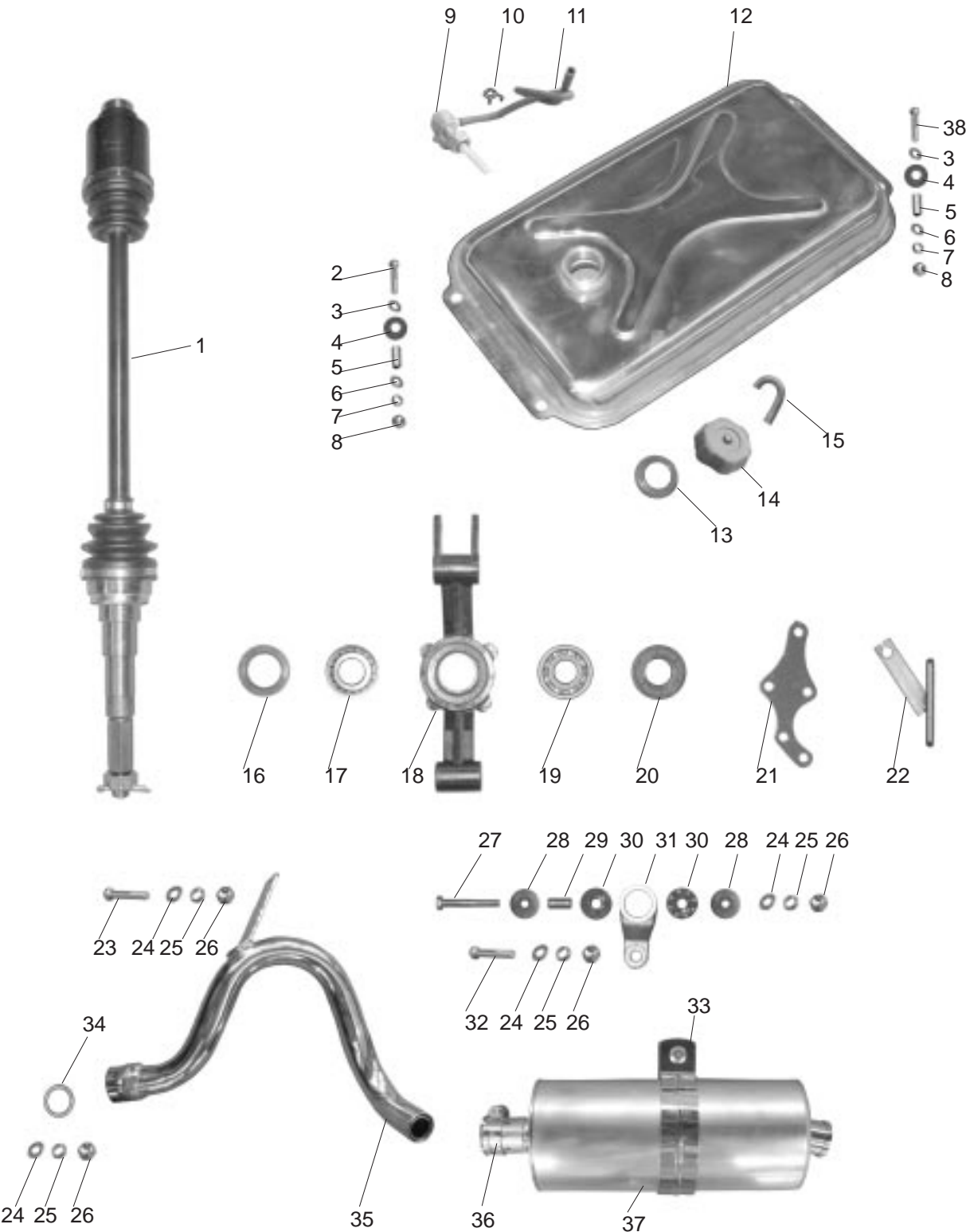






# FIG. 7

## REAR DRIVE AXLE ASSY

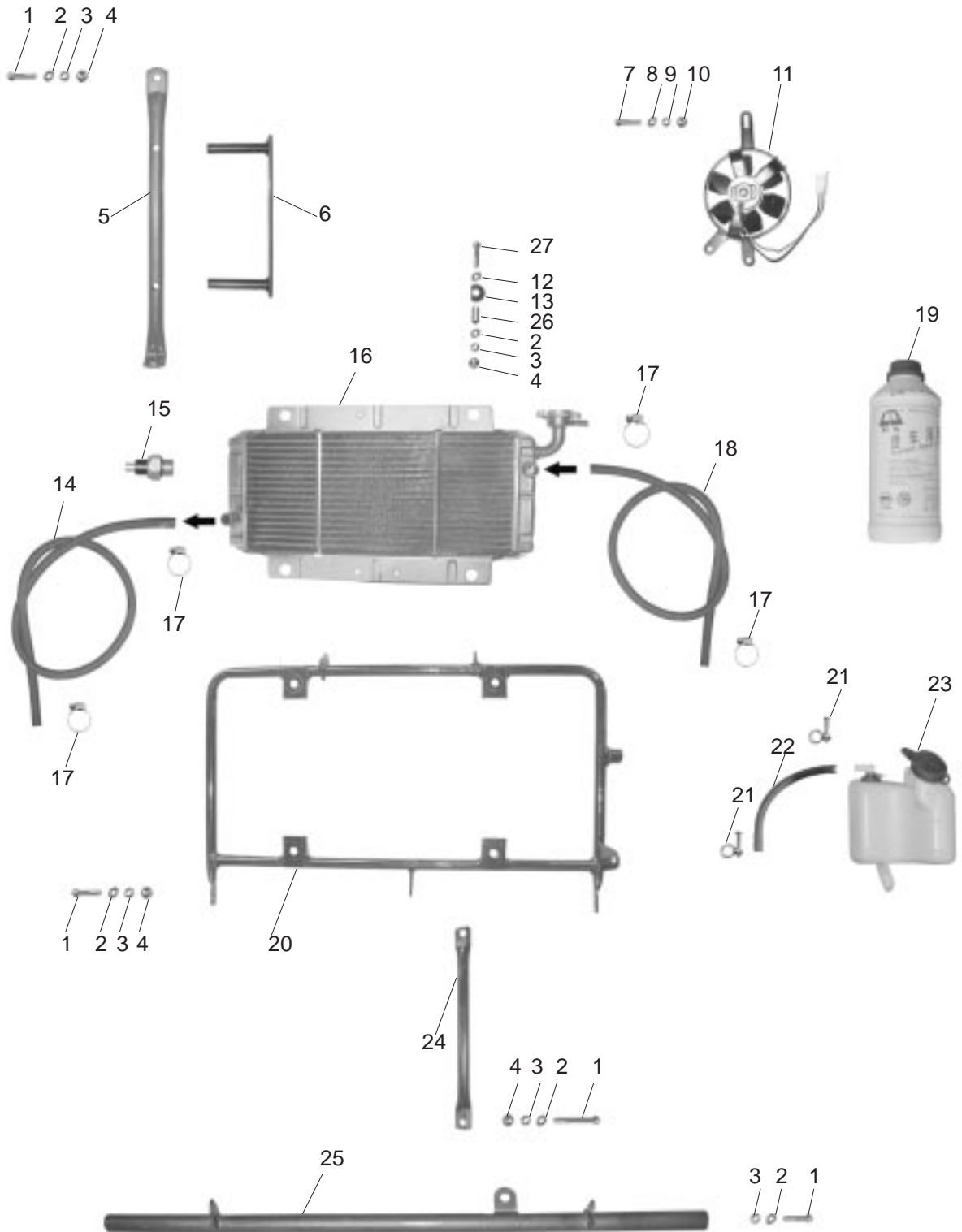


## REAR DRIVE AXLE ASSY

REF NO.	PART NO.	DESCRIPTION	REGD NO.
1	250-2A-1601000	REAR WHEEL AXLE COMP.	1
2	GB5783-86	BOLT, M8X110	2
3	GB96-85	FLAT WASHER,8MM	4
4	G-1200003	CUSHION RUBBER RING	4
5	G-1200002	COLLAR, FUEL TANK	4
6	GB97.1-85	WASHER,8MM	4
7	GB93-87	SPRING WASHER,8MM	4
8	GB6170-86	NUT,8MM	1
9	G-1202000	FUEL TANK COCK	1
10	G-1200005	CLIP, FUEL TUBE	1
11	G-1200001	HOSE, FUEL TANK	1
12	250-2A-1201000	FUEL TANK WELDING BODY	1
13	G-1200007	CUSHION, FUEL TANK CAP	1
14	G-1203000	CAP,FUEL TANK	1
15	A-1202001	HOSE,CAP,FUEL TANK	1
16	HG4-692-67	OIL SEAL 62X40X8	1
17	GB276-86	BEARING 206	1
18	250-2A-1600002	BEARING SHELL,REAR WHEEL AXLE	1
19	GB276-86	BEARING 107	1
20	HG4-692-67	OIL SEAL, 62X42X8	1
21	250-2A-2103003	FIXING PLATE, BRAKE PUMP	1
22	250-2A-2103101	BRACKET WELDING ,BRAKE PUMP	1
23	GB5783-86	BOLT, M8X30	1
24	GB97.1-85	WASHER,8MM	4
25	GB93-87	SPRING WASHER,8MM	4
26	GB6170-86	NUT ,8MM	4
27	GB5782-86	BOLT, M8X45	1
28	A-1300003	BIG WASHER	2
29	A-1300005	INNER COLLAR, CUSHION RUBBER	1
30	A-1300004	CUSHION RUBBER	2
31	250-2A-1300004	CONNECTING BRACKET	1
32	GB5783-86	BOLT ,M8X20	1
33	A250-1300005	CLIP,MUFFLER	1
34	250-2A-1300001	EXHAUST PIPE GASKET	1
35	250-2A-1301000	EXHAUST PIPE	1
36	A250-1304000	CONNECTING CLIP	1
37	A250-1302000	MUFFLER	1
38	GB5783-86	BOLT, M8X50	2

# FIG. 8

## COOLANT ASSY

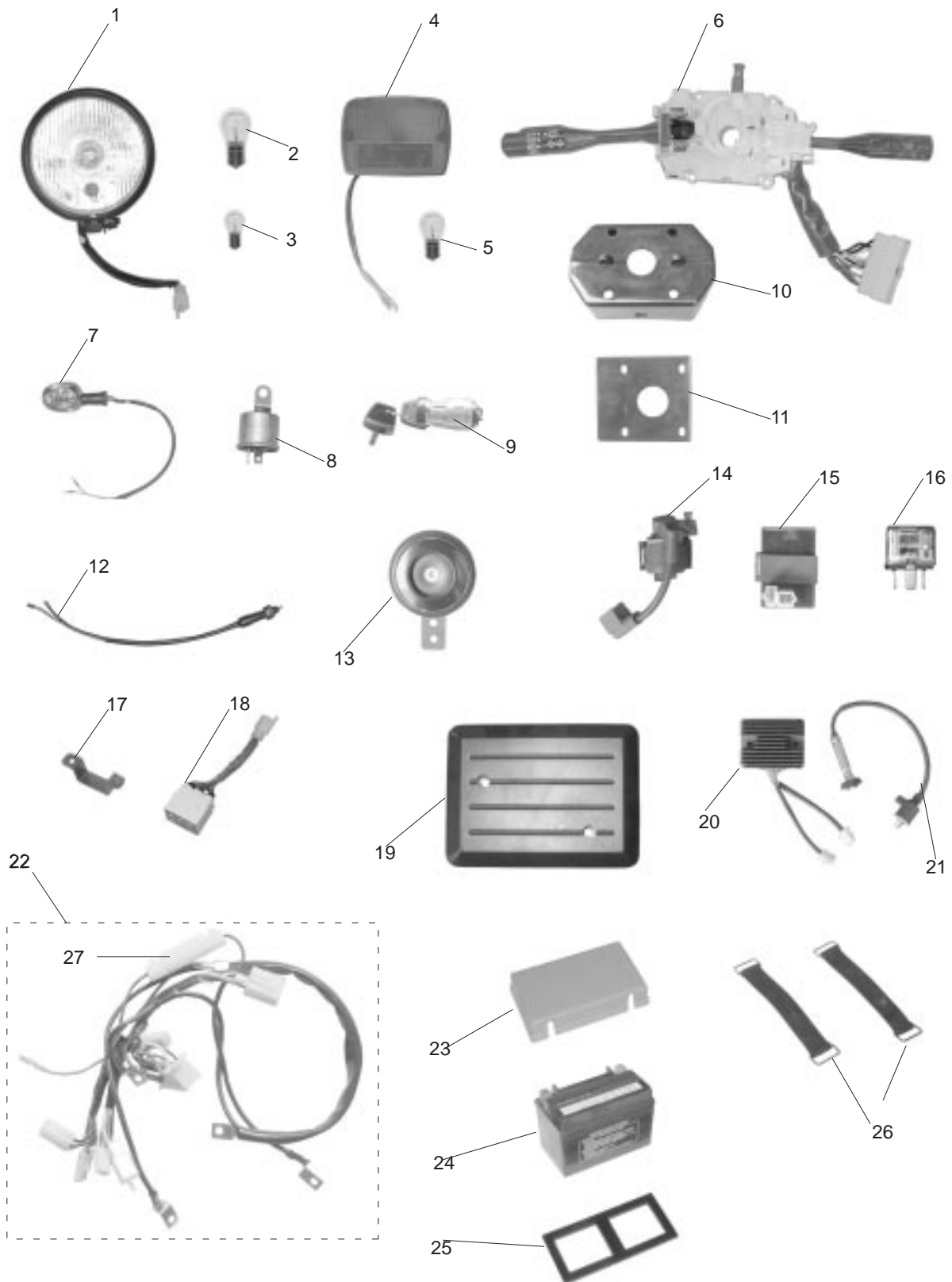


## COOLANT ASSY

REF NO.	PART NO.	DESCRIPTION	REGD NO.
1	GB5783-86	BOLT,M8X20	10
2	GB97.1-85	WASHER, 8MM	12
3	GB93-87	SPRING WASHER, 8MM	12
4	GB6170-86	NUT, 8MM	12
5	250-2A-1700001	FIXING TUBE, FUEL TANK	1
6	250-2A-1708000	FIXING BRACKET, FUEL TANK	1
7	GB818-85	BOLT, M6X16	2
8	GB97.1-85	WASHER, 6MM	2
9	GB93-87	SPRING WASHER, 6MM	2
10	GB6170-86	NUT, 6MM	2
11	250-2A-1042000	FAN	1
12	GB96-85	FLAT WASHER, 8MM	4
13	G-1200003	CUSHION RUBBER	4
14	250-2A-1040001	INLET TUBE	1
15	250-2A-1040005	SENSOR	1
16	250-2A-1041000	RADIATOR	1
17	250-2A-1040003	CLIP, COOLANT TUBE	4
18	250-2A-1040008	RETURN TUBE	1
19		LIQUID COOLANT	1
20	250-2A-1704000	FIXING BRACKET, RADIATOR	1
21	250-2A-1040004	CLIP, COOLING HOSE	2
22	250-2A-1040002	COOLING HOSE	1
23	250-2A-1043000	JUG	1
24	250-2A-1700002	STAY BAR, RADIATOR FIXING BRACKET	2
25	250-2A-1705000	FIXING TUBE, RADIATOR FIXING BRACKET	1
26	G-1200002	COLLAR	4
27	GB5783-86	BOLT, M8X25	4

# FIG. 9

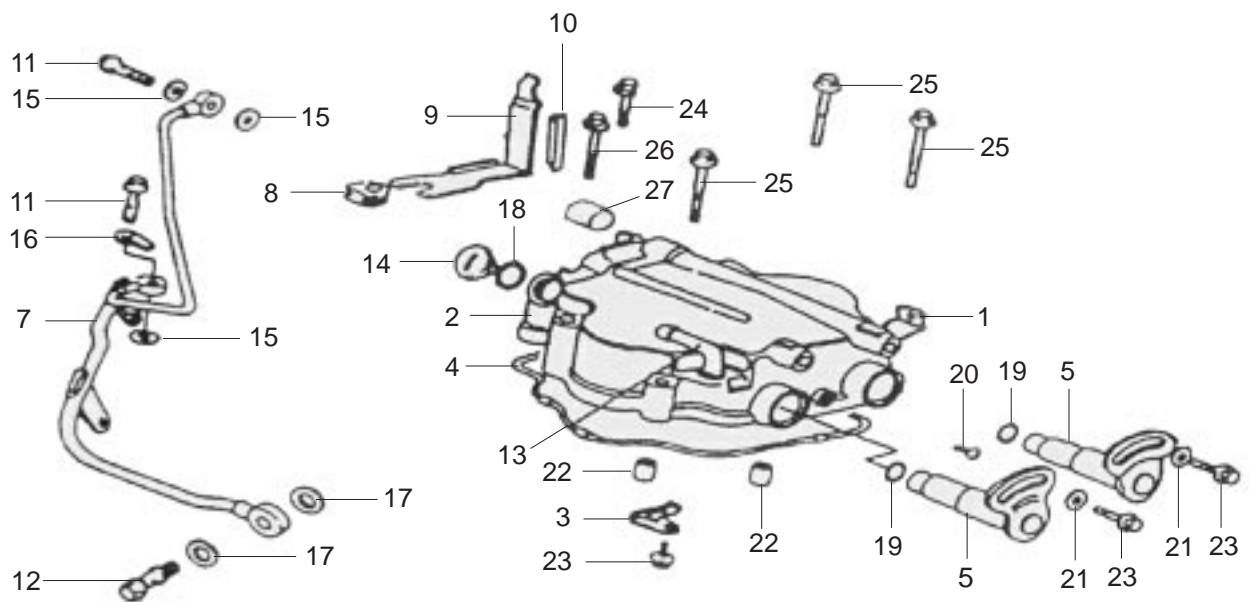
## ELECTRICAL ASSY





# FIG. 10

## CYLINDER HEAD ASSY(1)

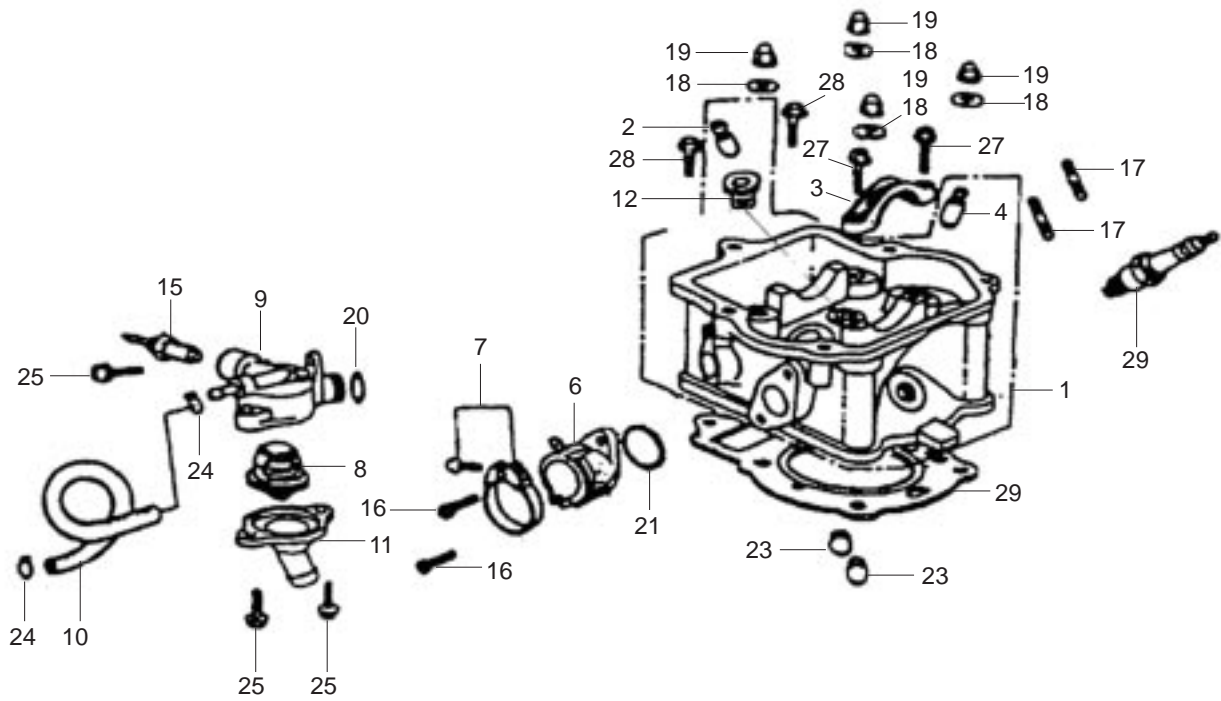






# FIG. 11

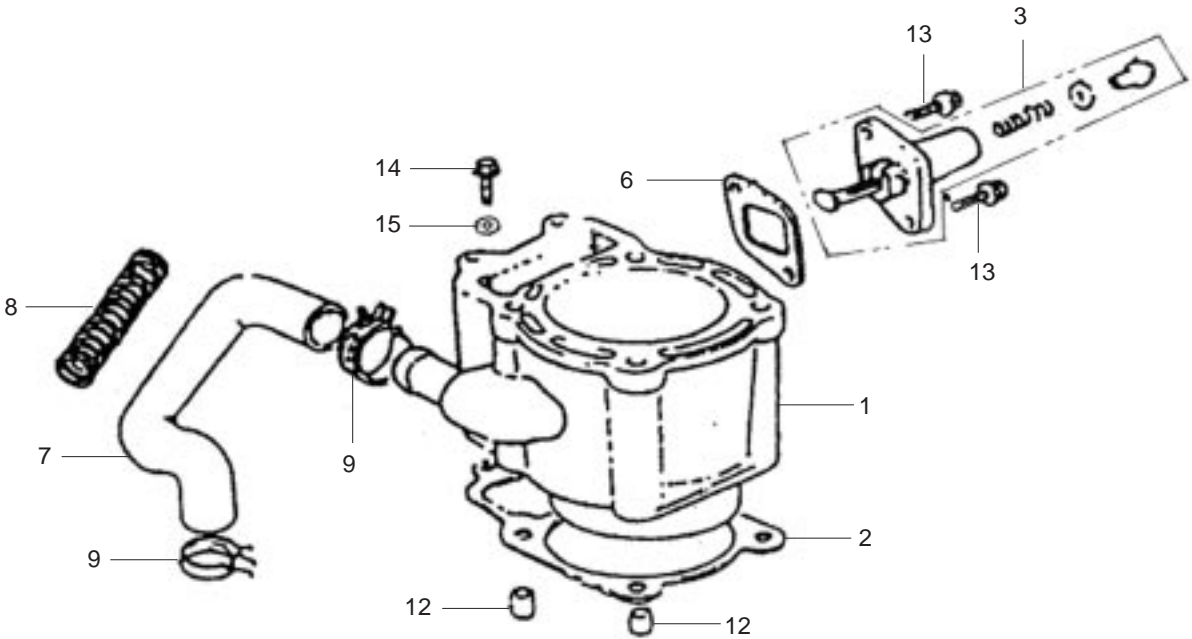
## CYLINDER HEAD ASSY(2)





# FIG. 12

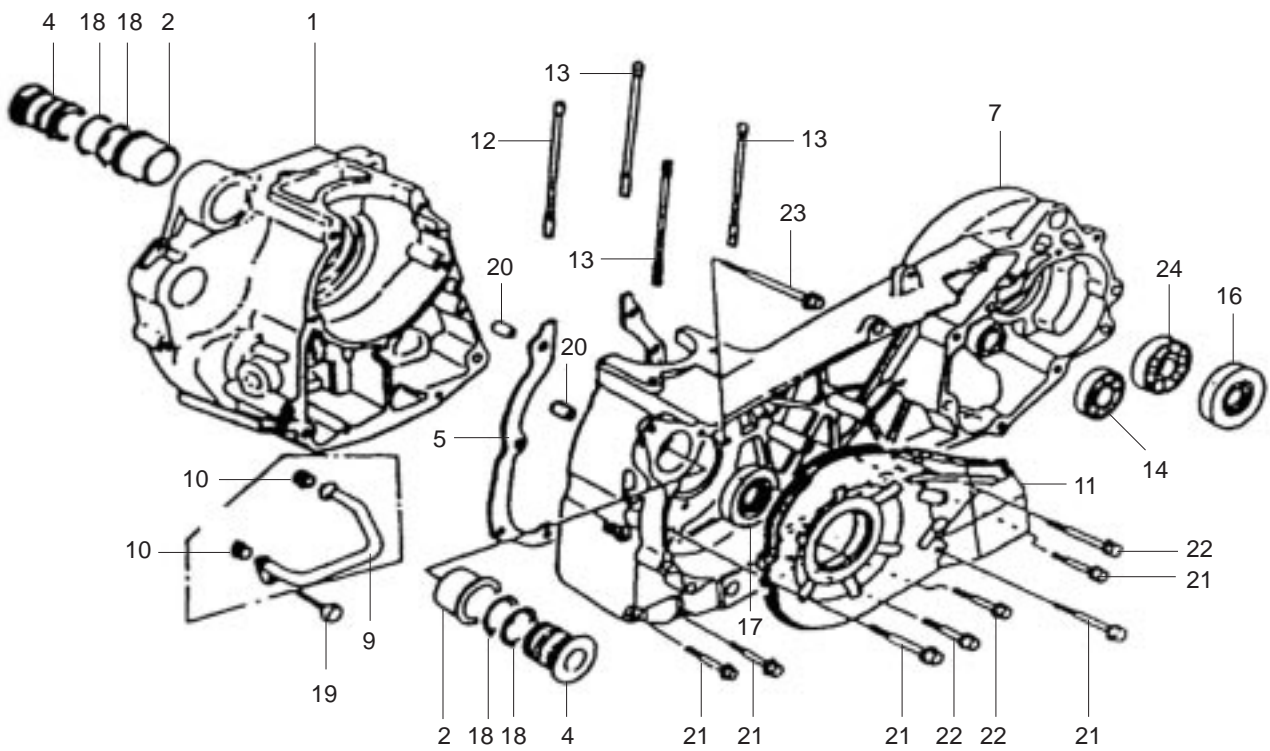
## CYLINDER BODY ASSY





# FIG. 13

## CRANKCASE ASSY(1)





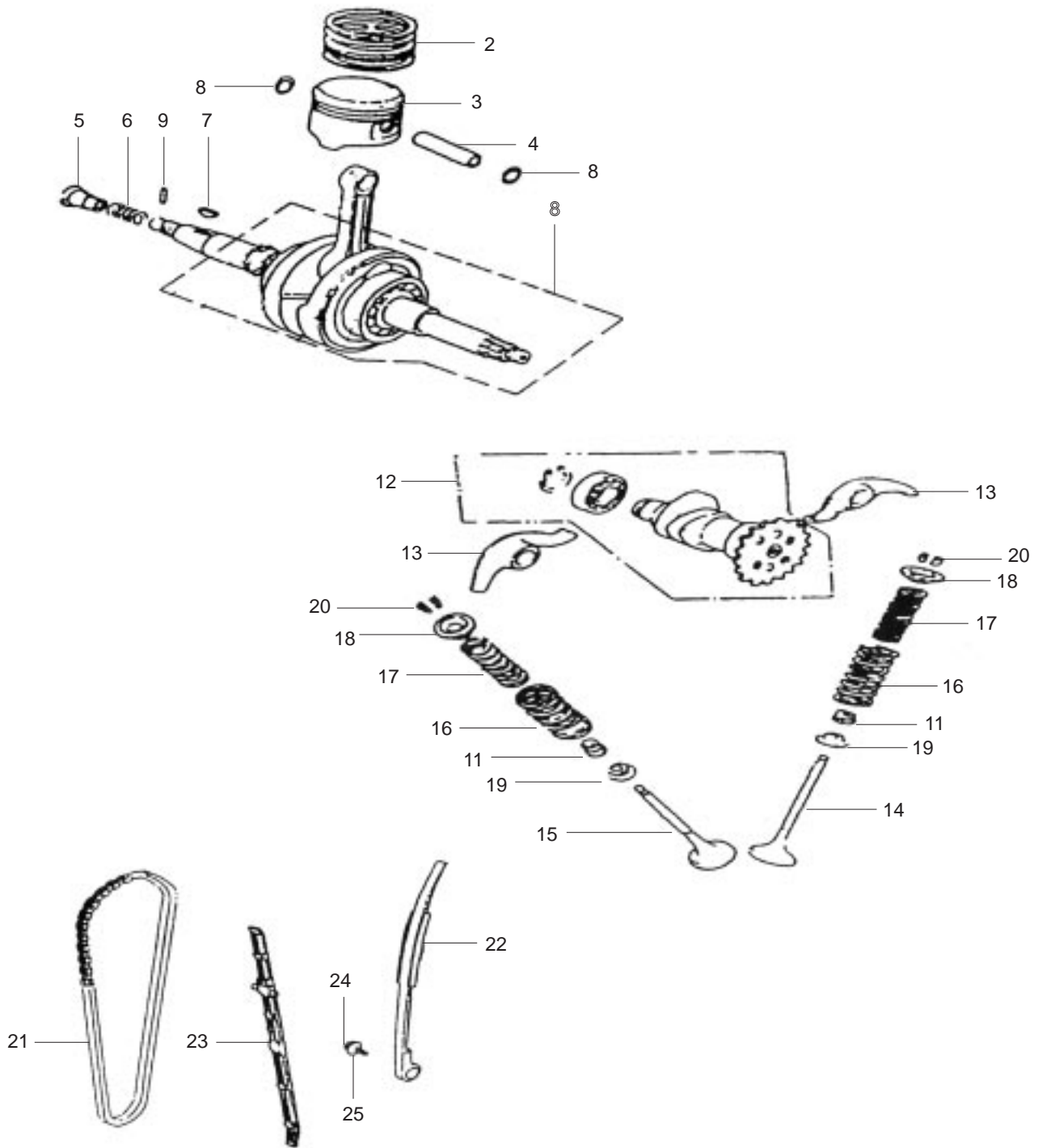






# FIG. 15

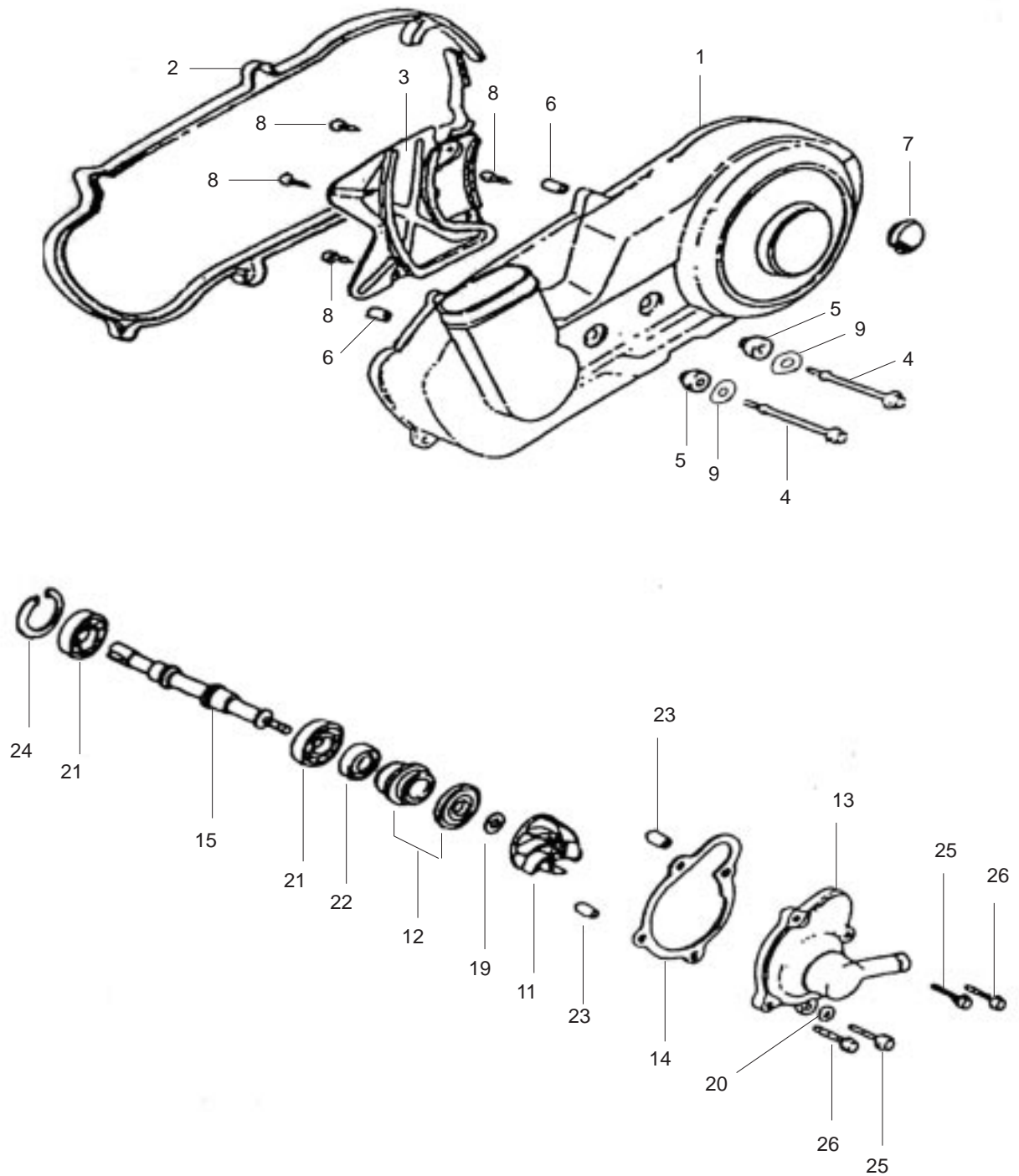
## CRANKSHAFT PISTON CONNECTING ROD, VALVE TRAIN ASSY





# FIG. 16

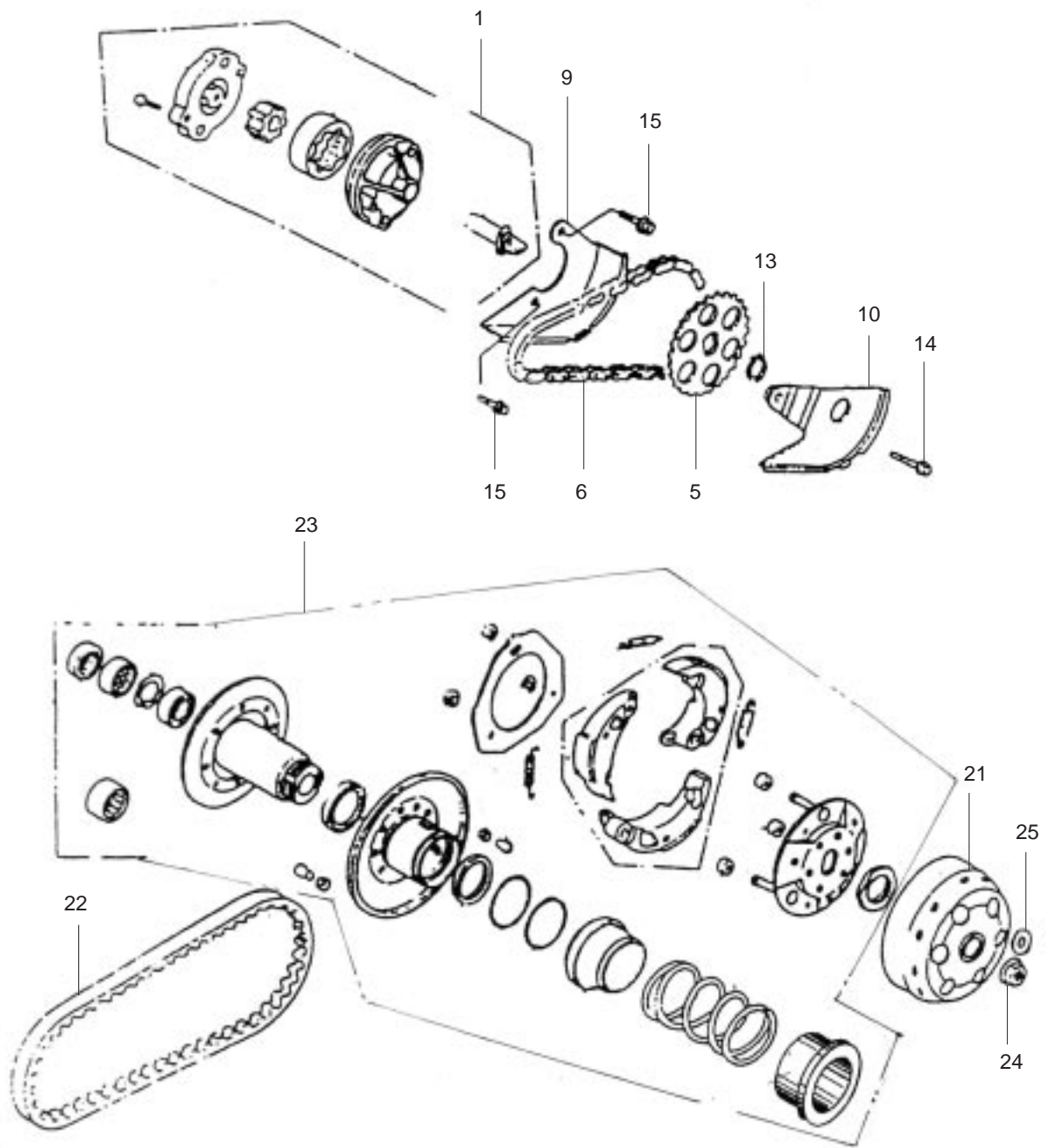
## LEFT COVER, WATER COOLING ASSY





# FIG. 17

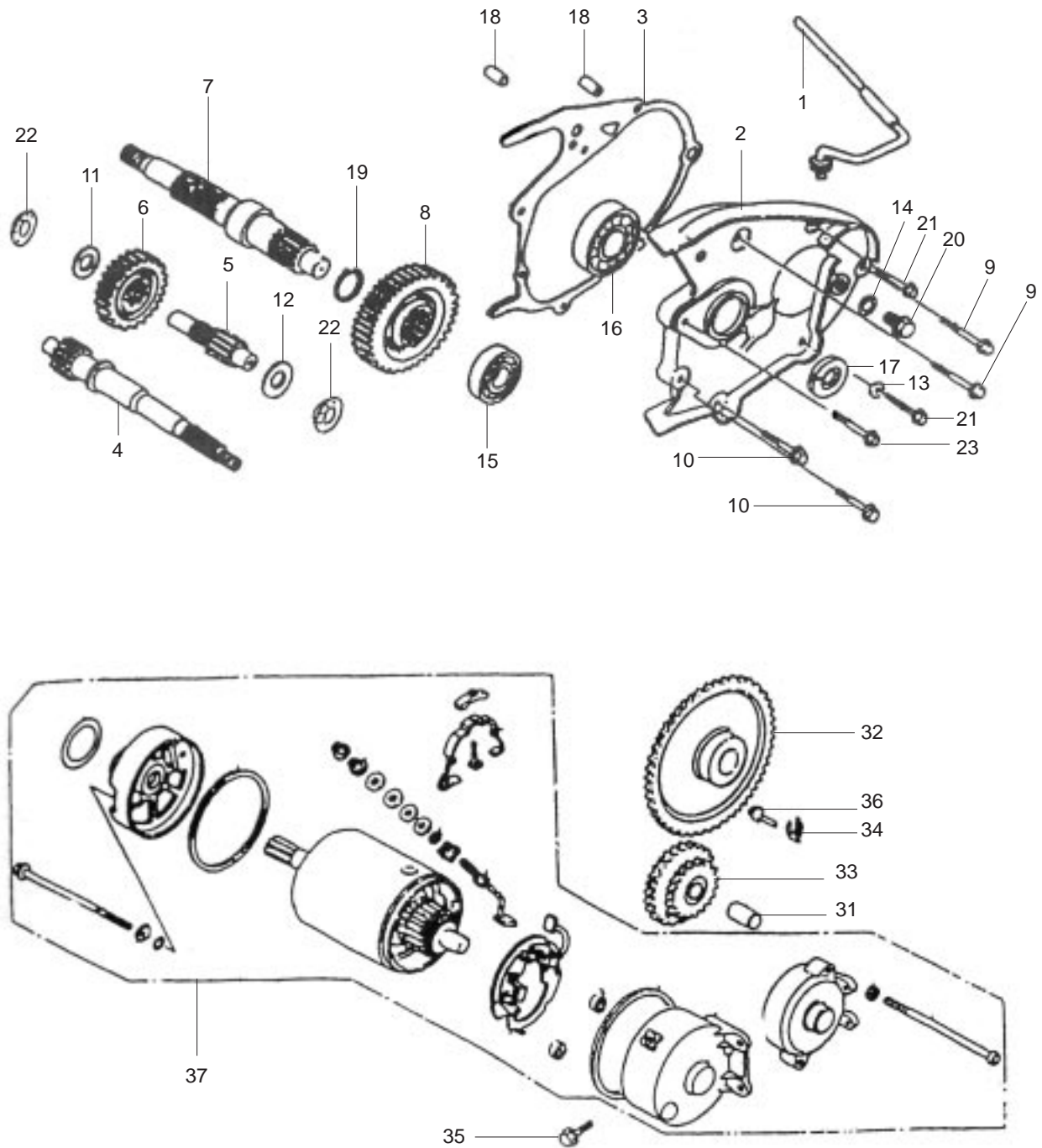
## OIL PUMP, CLUTCH ASSY





# FIG. 18

## SLOWDOWN GEAR, ELECTRIC STARTER ASSY



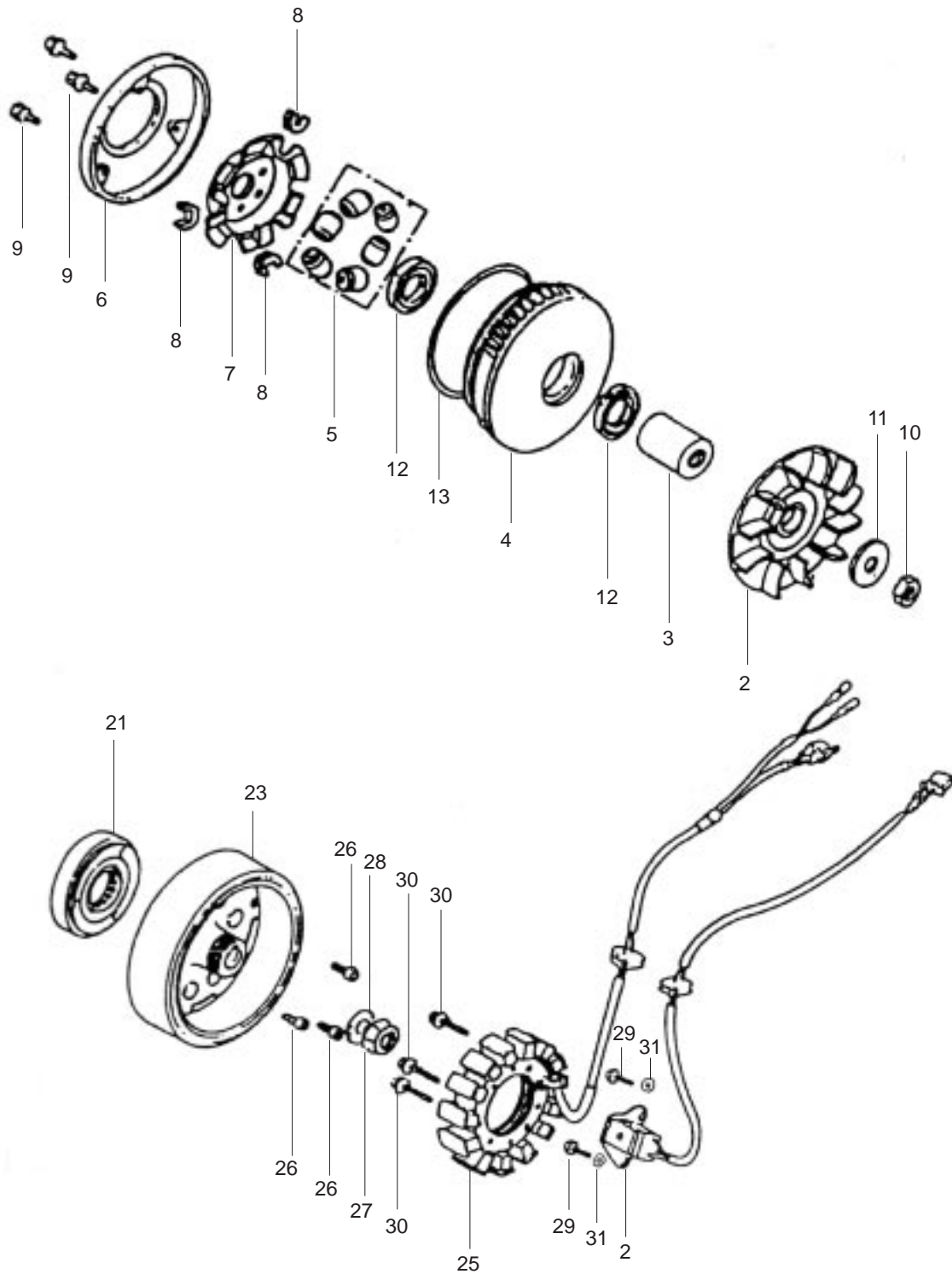


## SLOWDOWN GEAR, ELECTRIC STARTER ASSY

REF NO.	PART NO.	DESCRIPTION	REGD NO.
1	XF172MM-1044000	VENT PIPE COMP.	1
2	XF172MM-1040001	COVER, SLOWDOWN BOX	1
3	XF172MM-1040015	GASKET, SLOWDOWN BOX COVER	1
4	XF172MM-1040006	MAIN SHAFT	1
5	XF172MM-1043001	MIDDLE SHAFT	1
6	XF172MM-1043002	MIDDLE SHAFT AXLE GEAR	1
7	XF172MM-1040003	REAR WHEEL AXLE	1
8	XF172MM-1040004	GEAR, REAR WHEEL AXLE	1
9	XF172MM-1040016	BOLT,M8X38	2
10	XF172MM-1040019	BOLT,M8X25	2
11	XF172MM-1040013	BIG WASHER,MIDDLE AXLE	1
12	XF172MM-1040014	SMALL WASHER,MIDDLE AXLE	1
13	XF172MM-1002003	WASHER,6	1
14	XF172MM-1040002	WASHER,10	1
15	GB276-94	BEARING,E6304	1
16	GB276-94	BEARING,E6301	1
17	XF172MM-1043000	OIL-SEAL, MAIN SHAFT22X35X7	1
18	XF125-1003025	DOWEL, 10X14	2
19	GB894.1-86	CIRCLIP,24	1
20	XF172MM-1040008	OILING BOLT	1
21	XF172MM-1040018	BOLT,M6X30	2
22	XF172MM-1041000	NEEDLE BEARING,HK142216	2
23	XF172MM-1040017	BOLT, M8X35	1
31	XF172MM-1060001	ELECTRIC STARTING GEAR SHAFT	1
32	XF172MM-1061000	CLUTCH GEAR ,ELECTRIC STARTING GEAR COMP.	1
33	XF172MM-1060002	MIDDLE GEAR, ELECTRIC STARTING	1
34	XF172MM-1060003	SPACING PLATE, STARTING LARGE GEAR	1
35	XF125-1001009	BOLT, M6X22	2
36	XF125T-1003005	BOLR,M6X14	1
37	XF172MM-1063000	STARTING ENGINE	1

# FIG. 19

## DRIVER PLATE ASSY

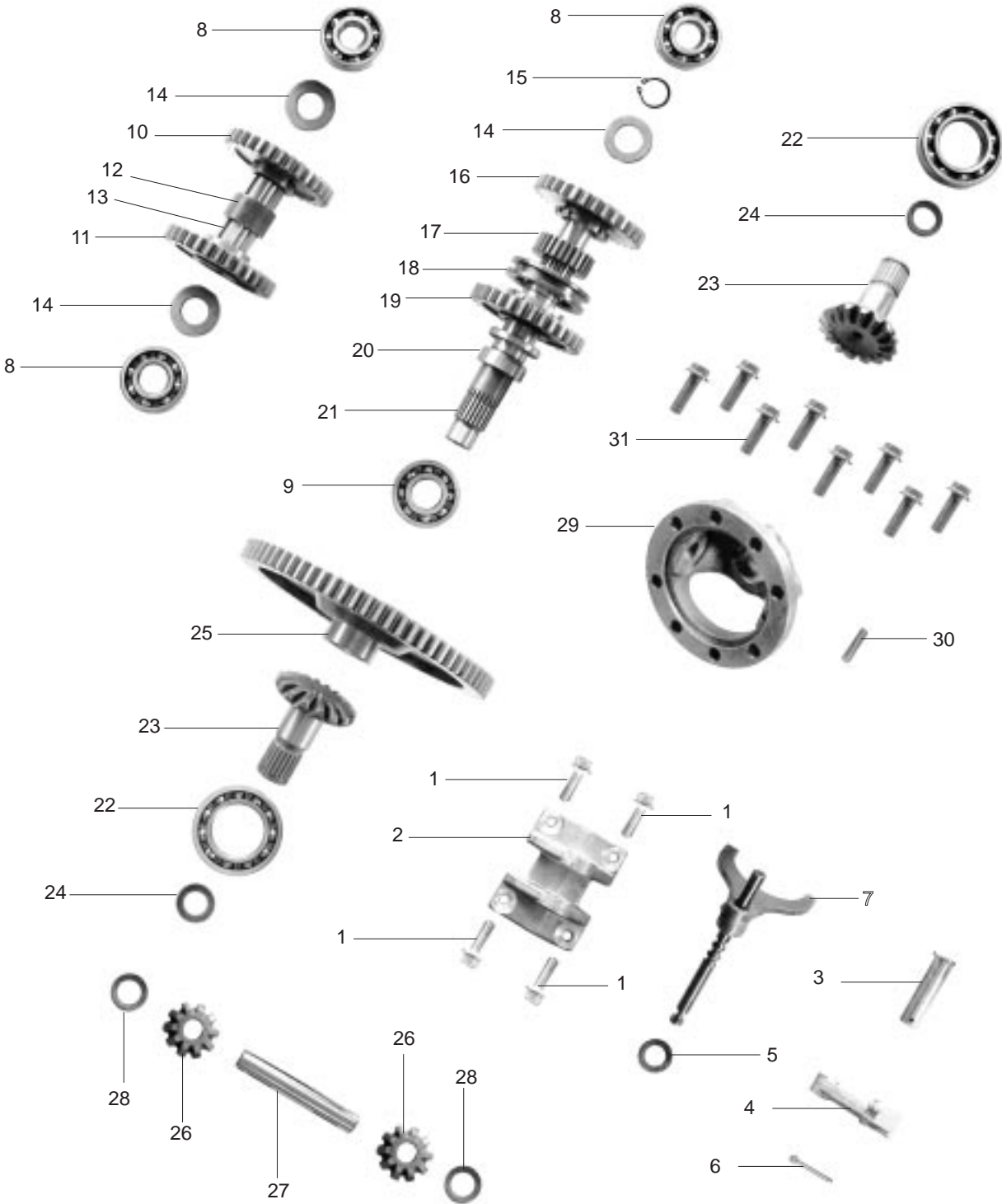


## DRIVER PLATE ASSY

REF NO.	PART NO.	DESCRIPTION	REGD NO.
2	XF172MM-1070001	DRIVE STRAP IMPELLER	1
3	XF172MM-1070002	SLEEVE	1
4	XF172MM-1071001	TRAY,DRIVE STRAP	1
5	XF172MM-1072000	HAMMER ROLLER	6
6	XF172MM-1071003	COVER BOARD	1
7	XF172MM-1070003	BRAE PLATE	1
8	XF172MM-1070004	INSET, BRAE PLATE	3
9	GB67-85	SCREW,M4X10	3
10	XF172MM-1004009	NUT,M14X1.5	1
11	XF172MM-1004011	WASHER,14X2	1
12	XF172MM-1071010	OIL-SEAL	2
13	XF172MM-1071002	SEALING RING	1
21	XF172MM-1062000	STARTING CLUTCH COVER COMP.	1
22	XF172MM-1051300	TRIGGER	1
23	XF172MM-1051100	FLYWHEEL COMP.	1
25	XF172MM-1051200	STARTOR, COMP.	1
26	XF125-B-1072004	SCREW,M8X16	3
27	XF172MM-1004012	NUT,M16X1	1
28	XF172MM-1004013	WASHER,16X2	1
29	GB818-85	SCREW,M5X16	2
30	XF125-1003015	BOLT,M6X32	3
31	GB859-87	WASHER,5MM	2

# FIG. 20

## REVERSE ASSY(1)

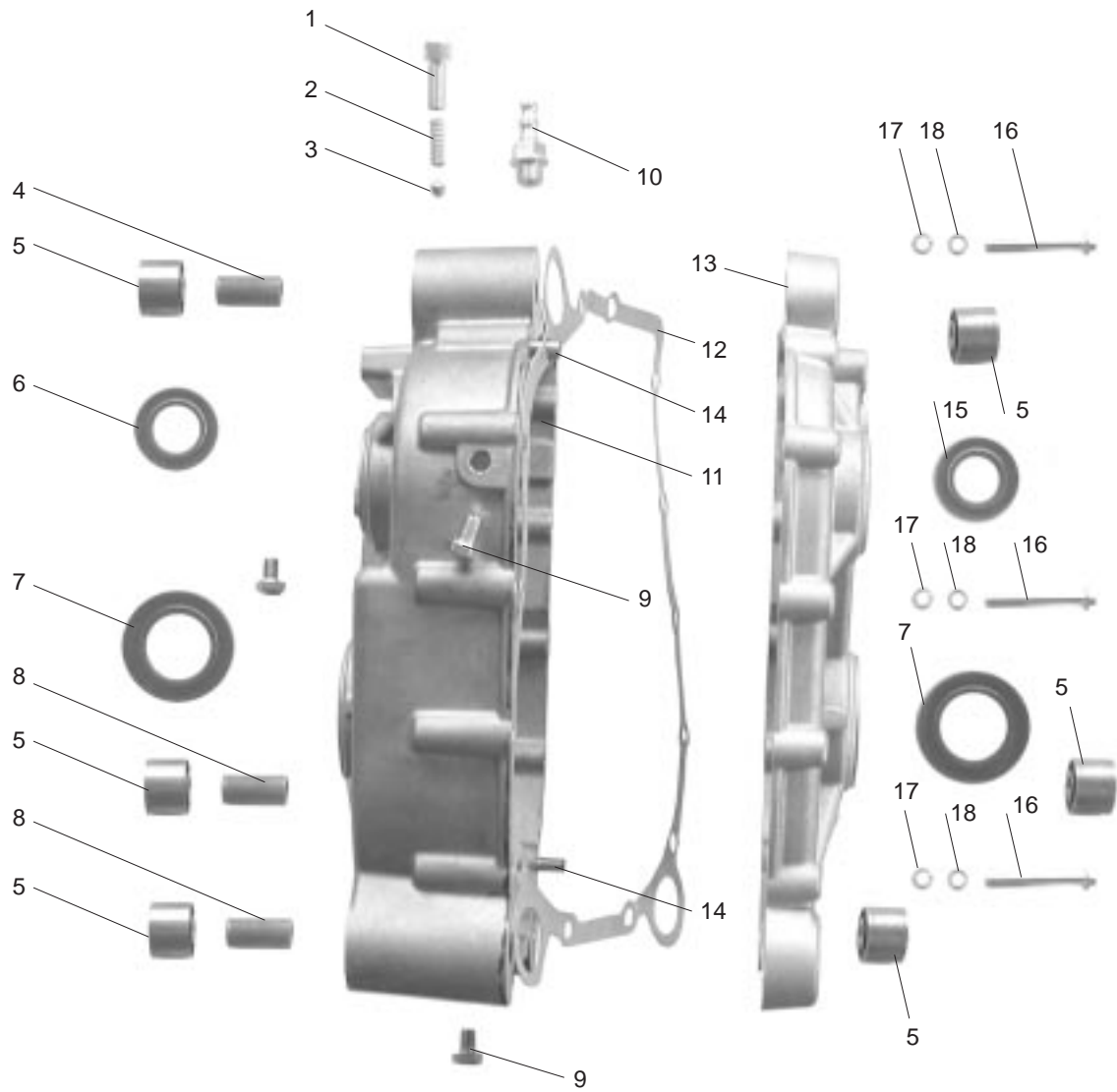


## REVERSE ASSY(2)

REF NO.	PART NO.	DESCRIPTION	REGD NO.
1	GB/T5783-2000	BOLT, M8X25	4
2	XF172MM-1090003	HOLDER, OUTER ROCKER ARM	1
3	XF172MM-1090002	AXLE, OUTER ROCKER ARM	1
4	XF172MM-1090001	OUTER ROCKER ARM	1
5	XF125-1005001	WASHER 10	1
6	GB91-1976	SPLIT PIN 2.5X35	1
7	XF172MM-1090015/16	INNER SHIFT FORK COMP.	1
8	GB276-1994	BEARING E6204	3
9	GB276-1994	BEARING E6005	1
10	XF172MM-1090026	GEAR, MIDDLE AXLE (32 TEETH)	1
11	XF172MM-1090027	GEAR, MIDDLE AXLE (27 TEETH)	1
12	XF172MM-1090029	BUSH, MIDDLE AXLE	1
13	XF172MM-1090028	MIDDLE SPLINE AXLE	1
14	XF172MM-1090023	WAHER, D20XD26X3	3
15	GB894.1-1986	RETAINING CLIP, 20X1	1
16	XF172MM-1090022	GEAR, INPUT SHAFT (32 TEETH)	1
17	XF172MM-1090021	GEAR, INPUT SHAFT (28 TEETH)	1
18	XF172MM-1090024	SLOT BUSH, FORK	1
19	XF172MM-1090020	GEAR, INPUT SHAFT	1
20	XF172MM-1090025	WASHER, D25xD34X3.5	1
21	XF172MM-1040006A	OUTPUT SHAFT	1
22	GB276-1994	BEARING E6007	2
23	XF172MM-1090030	OUTPUT BEVEL GEAR SHAFT	2
24	XF172MM-1090040	WASHER, D25.2XD35X1	2
25	XF172MM-1090035	OUTPUT GEAR (70 TEETH)	1
26	XF172MM-1090031	PLANETARY GEAR	2
27	XF172MM-1090032	PLANETARY GEAR SHAFT	1
28	XF172MM-1090039	WASHER, D15.2DX25X1	2
29	XF172MM-1090033	HOLDER, PLANETARY GEAR	1
30	XF172MM-1090034	PIN, D5x26	1
31	XF172MM-1090036	BOLT, M10X1.25X30	8

# FIG. 21

## REVERSE ASSY(2)



## REVERSE ASSY(2)

REF NO.	PART NO.	DESCRIPTION	REGD NO.
1	XF172MM-1090005	SCREW M10X25	1
2	XF172MM-1090007	SPRING 8X42	1
3	XF172MM-1090006	STEEL BALLø8	1
4	XF172MM-1090014	SLEEVED10.2XD15X30.5	1
5	XF125T-1003320	RUBBER BUSH	6
6	XF172MM-1090019	OIL SEAL 10X20X7	1
7	XF172MM-1090018	OIL SEAL 35X56X10	2
8	XF172MM-1090013	SLEEVED10.2XD15X45.5	2
9	GB/T5783-2000	BOLT M8X1X12	2
10	XF172MM-1090004	STUD,BREATHING PIPE	1
11	XF172MM-1090012	CRANKCASE	1
12	XF172MM-1090009	GASKET,CRANKCASE	1
13	XF172MM-1090011	CRANKCASE COVER	1
14	XF125-1003005	DOWEL PIN 8X14	2
15	XF172MM-1090017	OIL SEAL 25X42X8	1
16	GB/T5787-2000	BOLT M6X45	14
17	GB95-1986	WASHER 6	14
18	GB93-1976	WASHER 6	14

