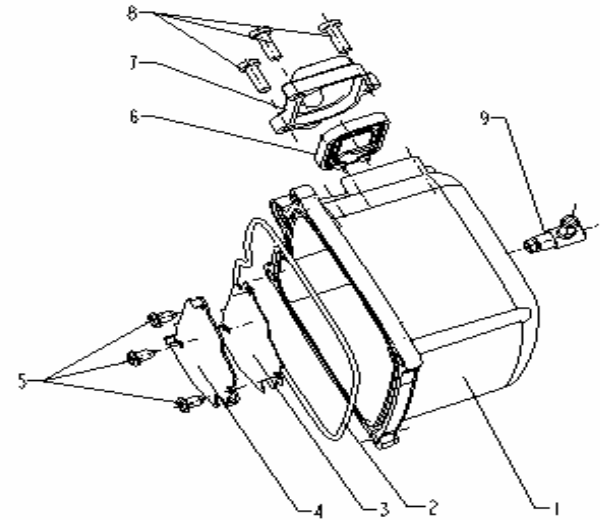


ENGINE PARTS LIST OF QJ150T-3(AIR COOLED)

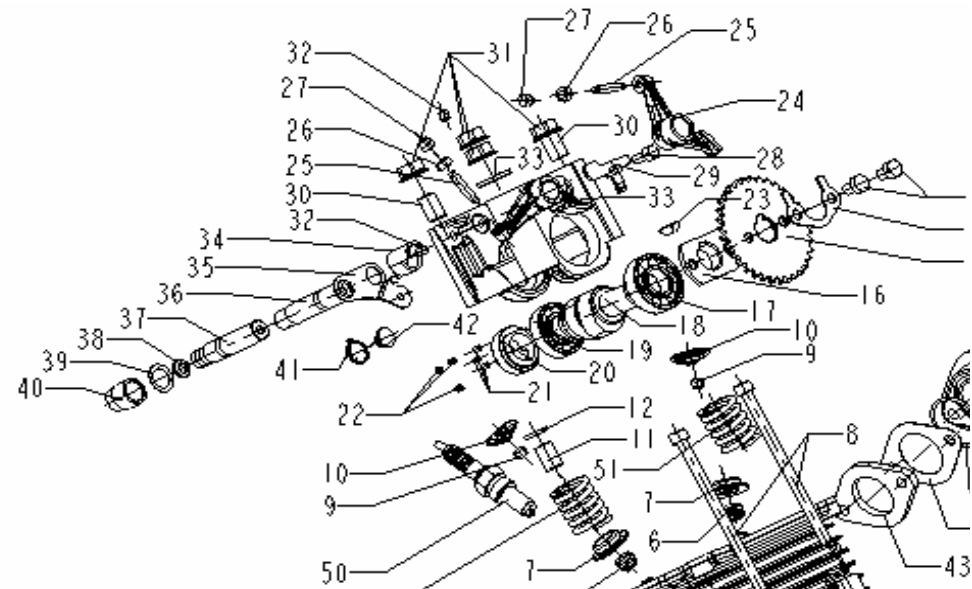
1 CYLINDER HEAD COVER ASSY

NO.	PART NO.	DESCRIPTION	QTY
1	201300035000	COVER , CYLINDER HEAD	1
2	201330004000	RUBBER SEAL TAPE	1
3	201332008000	GASKET	1
4	202502002000	STEEL SHEET,BLOW-BY	1
5	302270501400	SCREW	3
6	229104005000	ONE-DIRECTION VALVE ASSY	1
7	202600002000	COVER , ONE-DIRECTION VALVE	1
8	302270501400	SCREW	3
9	202105001000	TUBE , BLOW BY	1

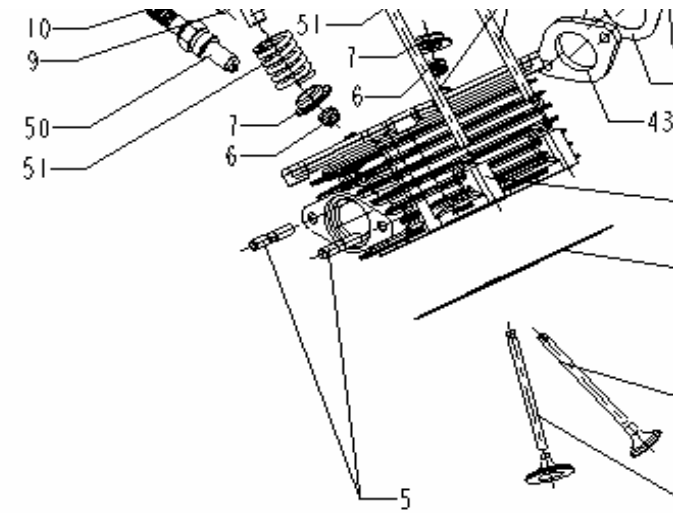


2 CYLINDER HEAD ASSY

NO.	PART NO.	DESCRIPTION	QTY
1	201100.101000	CYLINDER HEAD ASSY	1
2	201206.019000	GASKET , CYLINDER HEAD	1
3	30000004J31F000	VALVE,EXHAUST	1
4	30000001J31F000	VALVE,INLET	1
5	201216.002472	DOUBLE END STUD,SHORT	2
6	203106.002081	SEAL RING,VALVE STEM	2
7	30000006J31F000	VALVE SPRING HOLDER,LOWER	2
8	30000010J31F000	BOLT M6X105	2
9	30000003J31F000	HALF CONE, VALVE	2
10	30000002J31F000	VALVE SPRING RETAINER,UPPER	2
11	320086100151	LOCATING SLEEVE	2
12	315110020030	O RING	2



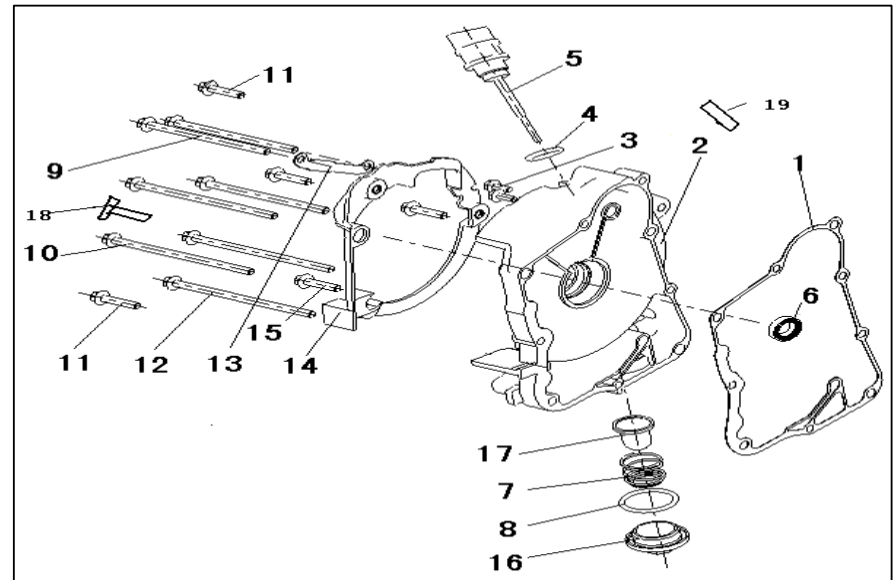
13	301250.600962	SCREW	4
14	201332.009000	GASKET	2
15	30200004J31F000	CHAIN WHEEL,CAMSHAFT	2
16	203412.004000	SHAFT HOUSING	1
17	203214.001000	BEARING	1
18	30200002J31F000	CAMSHAFT	1
19	B12160205F53	BEARING	1
20	30200003J31F000	OUTER RING,AUTO DECOMPRESSOR	1
21	203410.001000	BALL	3
22	203212.001000	SPRING	3
23	30200001J31F000	KEY	1
24	31200004J31F000	ROCKER ARM, INLET VALVE	1
25	31250002J31F000	SCREW	2
26	31250003J31F000	NUT	2
27	31250001J31F000	CAP	2
28	B01150501255	FIXING BOLT M5x12	1
29	31000008J31F000	LIMIT PLATE	1
30	320086100151	PIN DOWEL	2
31	B04190600062	NUT	1
32	31100002J31F000	NUT PLUG	2
33	31000007J31F000	GASKET	1
34	31200002J31F000	BUSH,EXHAUST ROCKER ARM SHAFT	1
35	31260000J31F000	LIMIT PLATE	1
36	31220001J31F000	SHAFT,INLET ROCKER ARM	1
37	31200002J31F000	BUSH,EXHAUST ROCKER ARM SHAFT	1
38	201212.001000		1
39	31200006J31F000	GASKET,INLET ROCKER ARM	1
40	31200001J31F000	BUSH,INLET ROCKER ARM SHAFT	1
41	31260000J31F000	SPRING LIMIT PLATE	1



42	31260000J31F000	RIVET LIMIT PLATE	1
43	30000008J31F000	HEAT INSULATION GASKET,CARBURETTOR	1
44	30000009J31F000	HEAT INSULATION PAPER GASKET CARBURETTOR	1
45	315127020030	O RING	1
46	30300000J31F000	VALVE RETAINER ASSY, INLET	1
47	303070604765	BOLT M6X47	2
48	B04190600062	NUT M6	2
49	202104.007472	CLAMP	1
50	30000007J31F000	SPARK PLUG NGK	1
51	30000005J31F000	SPRING,VALVE	2

3 CRANKCASE COVER RH ASSY

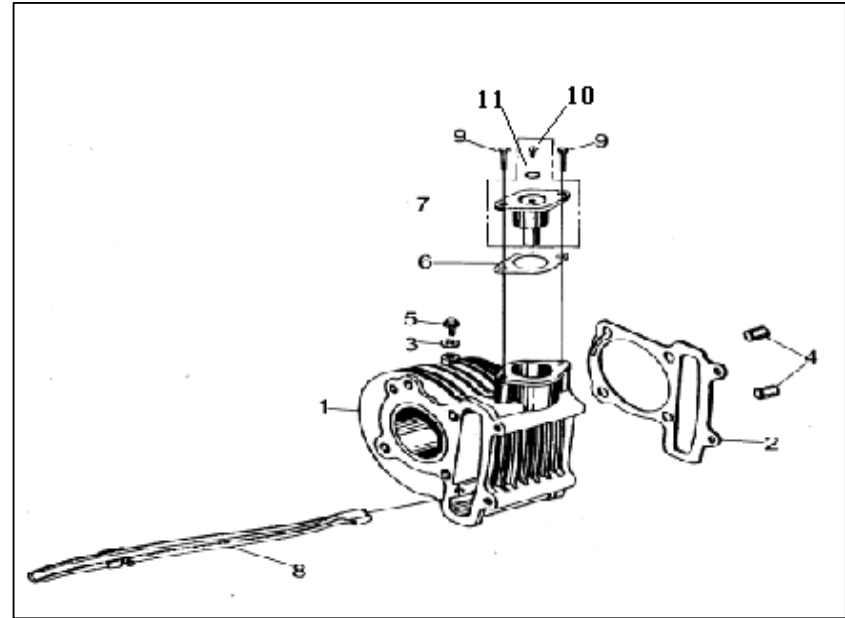
NO.	PART NO.	DESCRIPTION	QTY
1	207303.007000	GASKET, CRANKCASE, RH	1
2	207300.025000	CRANKCASE, RH	1
3	B01090501264	BOLT M5X12	2
4	14215J01F000	O-RING18X3.5	1
5	14216H03F000	GAUGE,OIL LEVER	1
6	26130H03F000	PLUG,DRAIN	1
7	14305H03F000	SPRING,STRAINER	1
8	14307H03F000	O-RING 30.8x3.2	1
9	301990609565	BOLT M6X95	4
10	14223H03F910	BOLT M6X100	1
11	301310603062	BOLT M6X30	2
12	301990611065	BOLT M6X110	2
13	207213.001271	CLAMP	1
14	14100000J31F000	PRESSING PLATE ASSY	1
15	301310601262	BOLT M6X30	3
16	14306H03F000	PLUG,DRAIN	1



17	206104.005000	STRAINER.OIL	1
18	B01070602063	BOLT	2
19	14206H03F000	PIN DOWEL	2

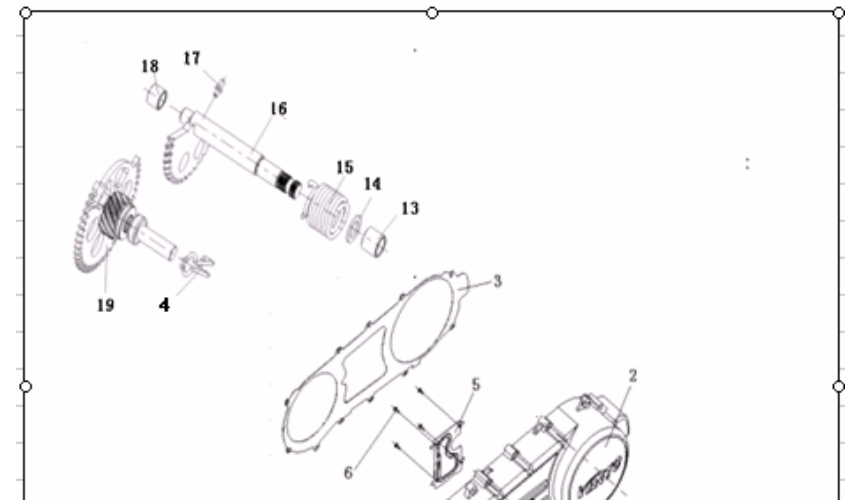
4 CYLINDER ASSY

NO.	PART NO.	DESCRIPTION	QTY
1	27100K12F000	CYLINDER COMP	1
2	204204.008000	GASKET , cylinder	1
3	27103K12F000	WASHER	1
4	27105H03F000	PIN DOWEL	2
5	301310601262	BOLT	1
6	205300.002000	GASKET , tensioner	1
7	27301H03F000	ADJUSTER ASSY , tensioner	1
8	27200H03F000	GUIDE CAM CHAIN	1
9	B01070602263	BOLT	2
10	26306H03F000	PLUG drain	1
11	14215H03F000	O RING	1

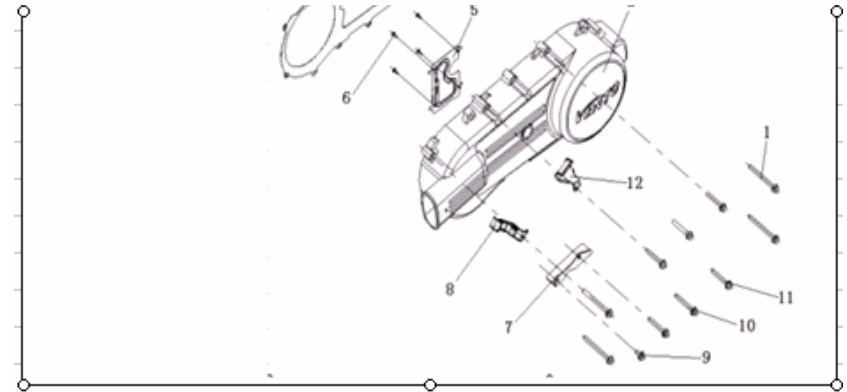


5 COVER LH ASSY

NO.	PART NO.	DESCRIPTION	QTY
1	301310606565	BOLT M6X65	2
2	207200.040472	COVER,CLUTCH,LH	1
3	207208.014000	GASKET,CLUTCH COVER,LH	1
4	17809H03F000	CLIP	1
5	14126H03F000	PLATE,COVER	1
6	3052042008F2	TAPPING SCREW	4
7	207225.001472	BRACKET	1
8	207225.003472	CLAMP	1

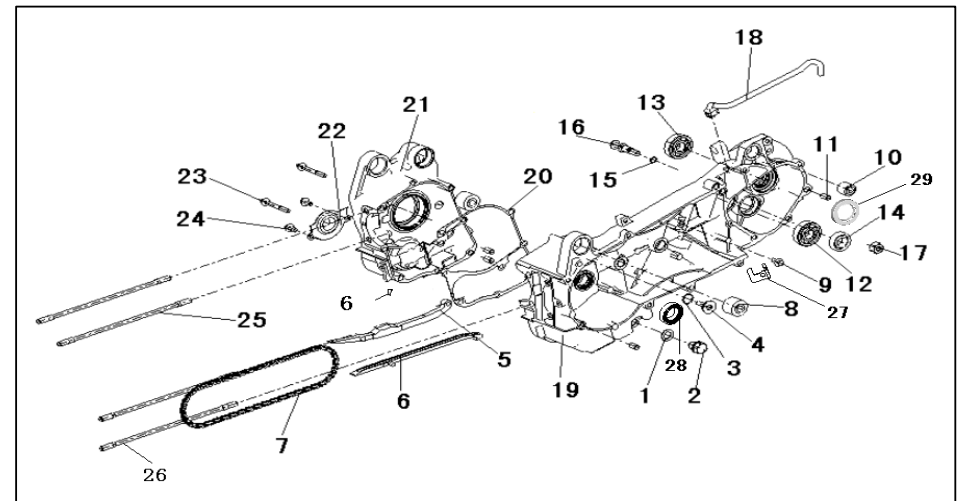


9	301310601265	BOLT M6X12	1
10	301310604065	BOLT M6X40	6
11	00107-02222	BOLT M6X45	5
12	14119H03F910	CLAMP,BRAKE CABLE	1
13	17434H03F000	BUSH,II	1
14	17402H03F000	GASKET	1
15	216212.004161	SPRING,KICK STARTER	1
16	216100.012000	SHAFT,KICK STARTER	1
17	17513H03F000	PIN,KICK STARTER	1
18	17433H03F000	BUSH I	1
19	17806H03F000	GEAR COMP,STARTER IDLE	1



6 CRANKCASE ASSY

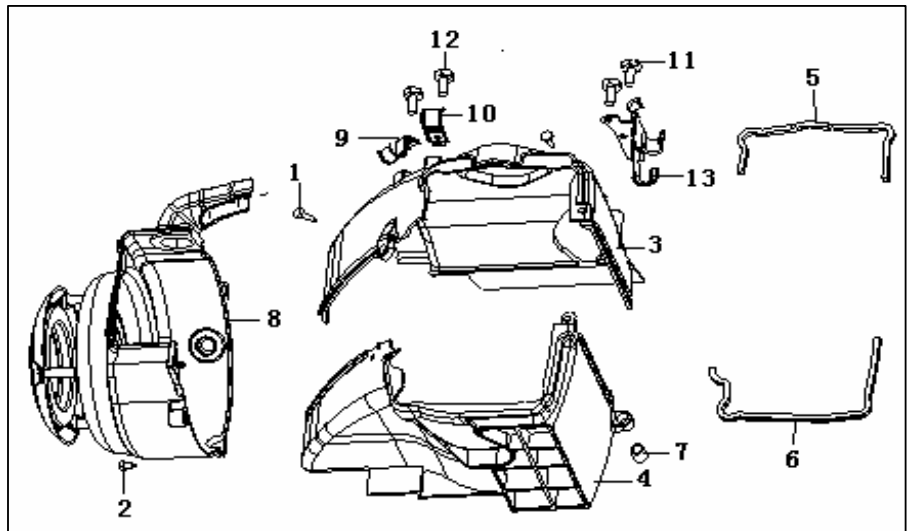
NO.	PART NO.	DESCRIPTION	QTY
1	26204G03F000	WASHER	1
2	206211.002472	BOLT, ANTI-OIL	1
3	26220H03F000	O-RING	1
4	205205.001271	SCREW,LOCATING TENSIONER	1
5	27210H03F000	TENSIONER,CAM CHAIN	1
6	26207J01F000	STOPPER	1
7	26300000J31F000	CHAIN,CAMSHAFT DRIVE	1
8	26501K12F000	BUSH	2
9	B01070601463	BOLT M6X14	1
10	26108K12F000	BUSH	1
11	26218H03F000	BUSH,LOCATING	6
12	312603010020	BEARING 6301	1
13	312600040020	BEARING 6004-2RS	1
14	312601020000	BEARING 6102	1
15	26118H03F000	SEAL RING	1



16	26127H03F000	BUSH,LOCATING	1
17	B04100000863	NUT M8	1
18	26131H03F000	TUBE,BREATHER	1
19	206200.102000	CRANKCASE,LEFT	1
20	206210.016000	GASKET,RH END CAP,CRANKCASE	1
21	26210000J31F000	CRANKCASE ASSY,RIGHT	1
22	219206.001271	END CAP,OIL PUMP CHAIN WHEEL	1
23	301310605062	BOLT M6X50	2
24	B01070601263	BOLT M6X12	2
25	206255.032000	THROUGH BOLT	2
26	206255.031000	THROUGH BOLT	2
27	17734H03F910	PLATE,stopper	1
28	26130H03F000	OIL SEAL	1
29	26129H03F000	OIL SEAL	1

7 FAN COVER&SHROUD ASSY

NO.	PART NO.	DESCRIPTION	QTY
1	305124801600	TAPPING SCREW ST4.8x16	1
2	305124809E00	TAPPING SCREW ST4.8x9.5	3
3	222201.004000	TUBE,COOLING	2
4	222202.003000	TAPPING SCREW ST4.8x16	1
5	222204.007000	SEAL SHROUD UPPER	1
6	222205.006000	SEAL,SHOUD LOWER	1
7	222220.003000	BUSH	1
8	222103.016000	COVER,FAN ASSY	1
9	222218.002000	CABLE CLAMP	1
10	222218.003000	CABLE CLAMP	1
11	3051263016F1	CABLE CLAMP	3

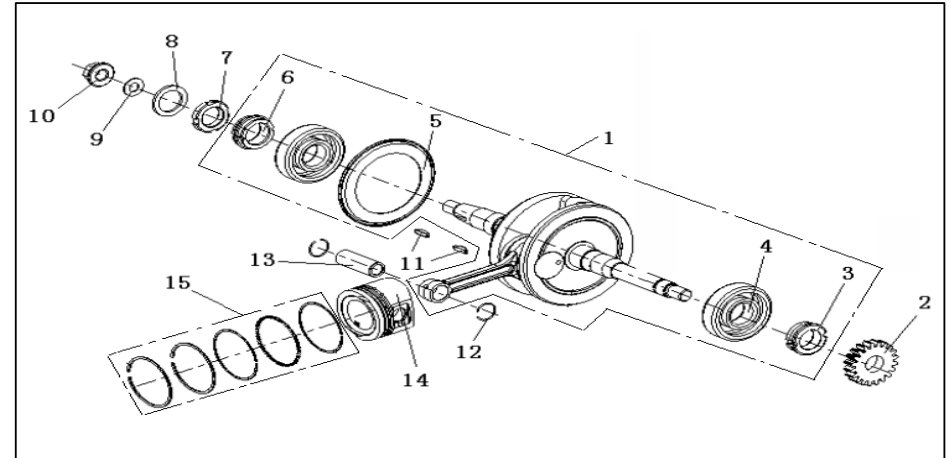


12	301330601461	SCREW M6X14	1
13	222105.001000	CABLE CLAMP ASSY	1

2

8 PISTON,CONNECTING ROD & CRANKSHAFT ASSY

NO.	PART NO.	DESCRIPTION	QTY
1	15200000J31F000	CRANKSHAFT & CONROD ASSY	1
2	15231H03F000	GEAR,STARTER DRIVEN	1
3	15232H03F000	SPROCKET,CAM CHAIN	1
4	15210H03F000	BEARING	2
5	15227H03F000	PLATE,OIL RESERVE	1
6	15208H03F000	SPROCKET,OIL PUMP DRIVE	1
7	208224.001161	NUT,LOCK	1
8	B07030002200	GASKET	1
9	B07030000800	WASHER 8-140HV	1
10	15206H03F000	HEXAGON NUT WITH FLANGE M12X1.25	1
11	15101H03F000	KEY	2
12	208308.004161	CLIP,PISTON PIN	2
13	15105K12F000	PIN,PISTON	1
14	208300.044062	PISTON	1
15	15120K12F000	RING,OIL	1

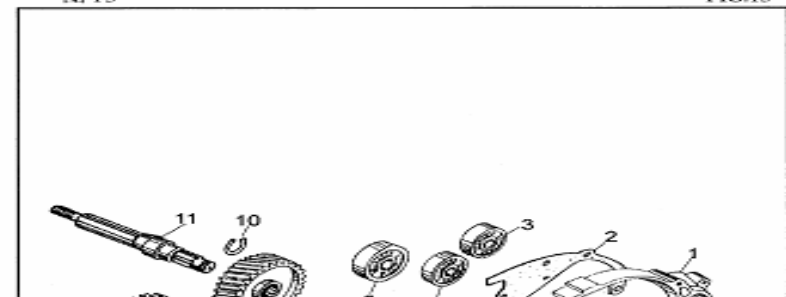


9 TRANSMISSION ASSY

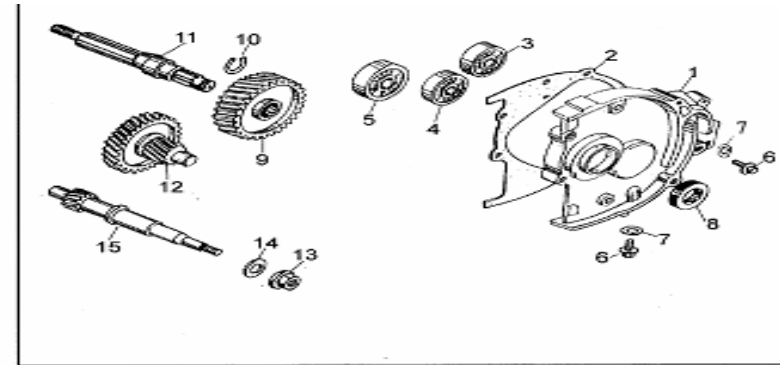
NO.	PART NO.	DESCRIPTION	QTY
1	18101H03F000	COVER , gear box	1
2	214201.008000	GASKET , gear box	1
3	B12016620350	BEARING	1
4	B12016620250	BEARING	1
5	B12016620450	BEARING	1

图 13

FIG.13

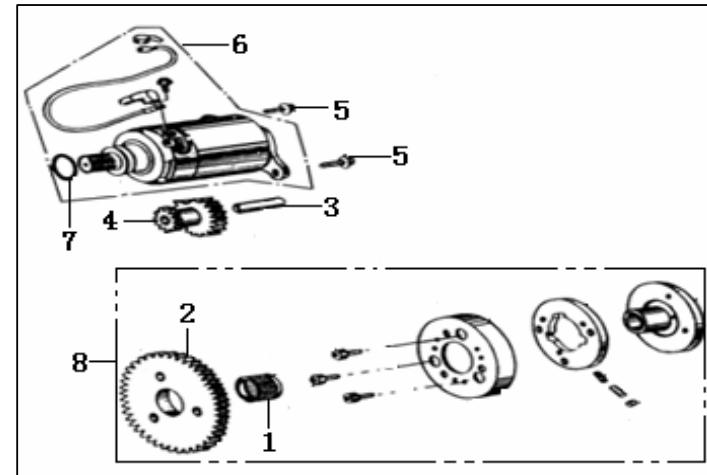


6	301310801265	BOLT	2
7	18105H03F000	WASHER	2
8	26106H03F000	OIL SEAL	1
9	214304.006161	GEAR , final driven	1
10	B08010002000	CIRCLIP	1
11	214305.012000	SHAFT , rear axle	1
12	17800H03F000	SHAFT , idle	1
13	18330H03F920	NUT	1
14	17304H03F930	WASHER	1
15	17303H03F000	SHAFT DRIVE	1



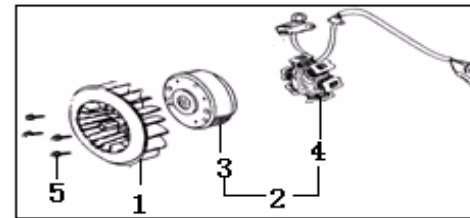
10 ELECTRIC STARTER ASSY

NO.	PART NO.	DESCRIPTION	QTY
1	34124H03F000	BEARING , needle	1
2	34120H03F000	GEAR COMP , starter clutch	1
3	217305.002161	SHAFT , shaft starter idle gear	1
4	34141H03F000	GEAR , starter idle	1
5	301310601665	BOLT	2
6	218100.010371	MOTOR ASSY , starting	1
7	34254H03F000	O RING	1
8	34400H03F000	start clutch ASSY	1



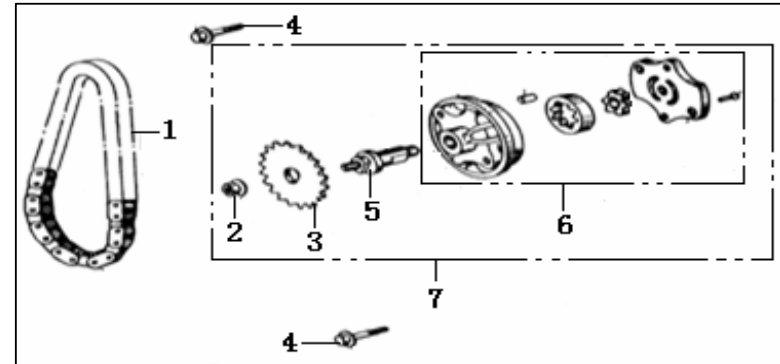
11 MAGNETO ASSY

NO.	PART NO.	DESCRIPTION	QTY
1	20400H03F000	GENERATOR ASSY	1
2	34300H03F000	STATOR ASSY	1
3	223101.013000	FLY WHEEL ASSY	1
4	223102.008000	COIL ASSY	1
5	B01070601863	BOLT	4



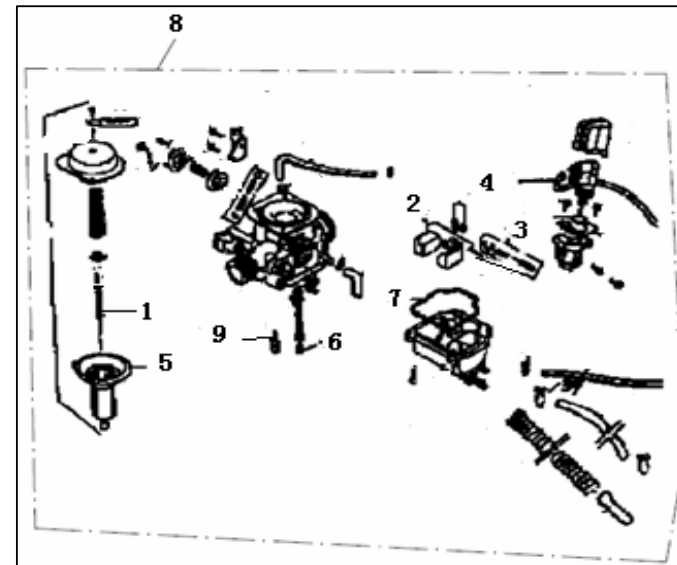
12 OIL PUMP ASSY

NO.	PART NO.	DESCRIPTION	QTY
1	19114H03F000	CHAIN OIL PUMP	1
2	B04070000663	NUT	1
3	19110H03F000	SPROCKET , oil pump driven	1
4	B01070602563	BOLT	2
5	19107H03F000	SHAFT , oil pump	1
6	219100.033000	PUMP BODY ASSY	1
7	19000K12F000	PUMP ASSY , oil	1



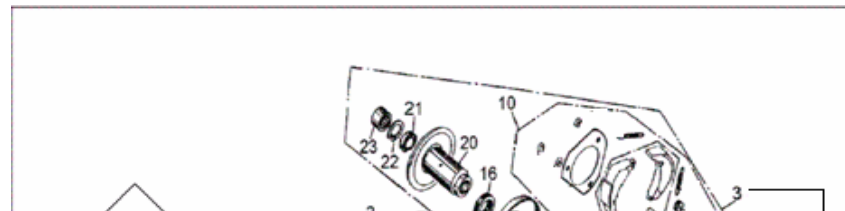
13 CARBURETOR ASSY

NO.	PART NO.	DESCRIPTION	QTY
1	32506K12F000	NEEDLE , jet	1
2	32624H03F000	FLOAT	1
3	32619H03F000	PIN, float	1
4	32612H03F000	ENRICH VALVE	1
5	32507H03F000	VALVE ASSY , piston	1
6	32615K12F000	JET , main	1
7	32701H03F000	SEAL	1
8	224100.101000	CARBURETOR	1
9	32618K12F000	JET,pilot	1



14 DRIVEN PULLEY & CLUTCH ASSY

NO.	PART NO.	DESCRIPTION	QTY
NO	CODE		QTY
1	24230H03F000	HOUSING , clutch	1
2	213205.007000	V BELT , drive	1



3	24200H03F000	PULLEY ASSY , driven	1
4	24130H03F000	DAMPER	3
5	24111H03F000	FACE , fixed drive	1
6	24140H03F000	BUSH , axle	1
7	24151H03F000	PLATE , movable drive	1
8	24120H03F000	ROLLER	6
9	24101H03F000	FACE	1
10	24220H03F000	PLATE ASSY , driven	1
11	24241H03F000	NUT	1
12	24248H03F930	SPRING	1
13	24213H03F000	SHEET	1
14	24244H03F000	COLLAR , spring	1
15	24215H03F000	O RING	2
16	24216H03F000	SEAL	2
17	24211H03F000	FACE , movable driven	1
18	24218H03F000	PIN	3
19	24247H03F000	SPACER	3
20	24212H03F000	FACE ASSY , driven	1
21	24217H03F000	BEARING	1
22	B08000002800	CIRCLIP	1
23	24203H03F000	BEARING NEEDLE	1
24	24103H03F000	FACE COMP , movable drive	1
25	24102H03F000	CLIP 28	2
26	24104H03F000	COLLAR	1
27	24100H03F000	DRIVEN PULLEY	1
28	213100.002000	SHIFT ASSY	1

